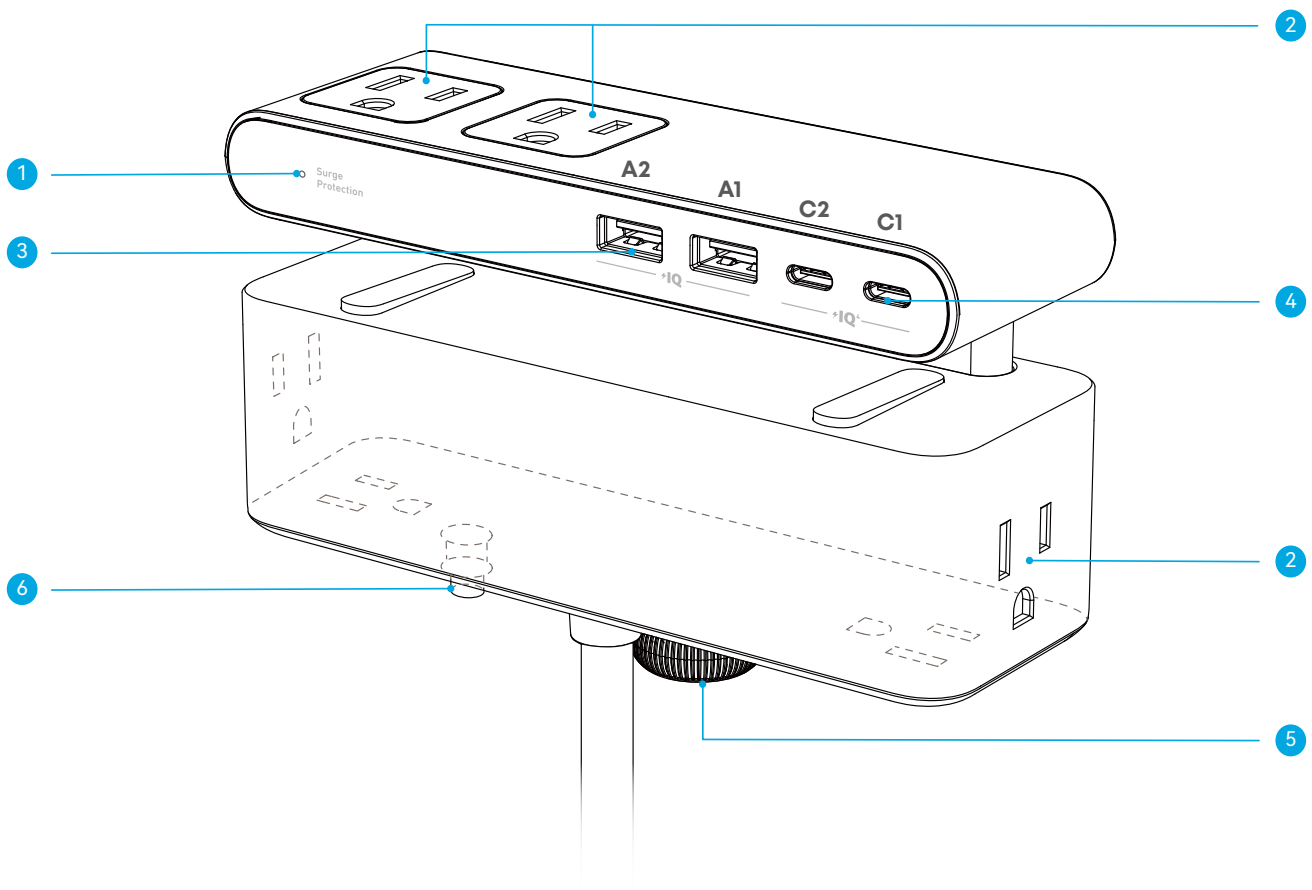


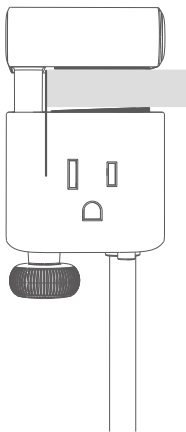
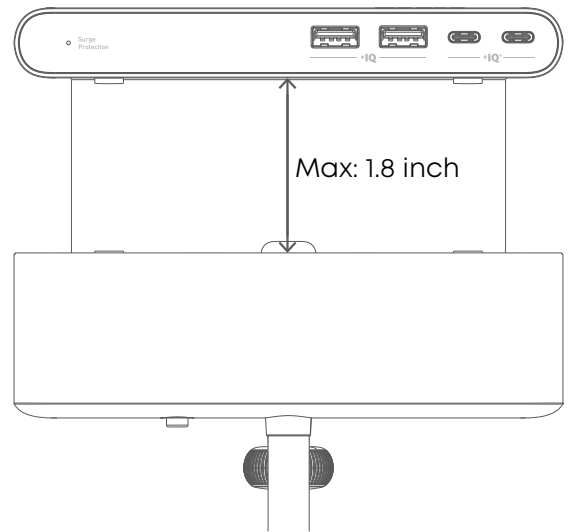
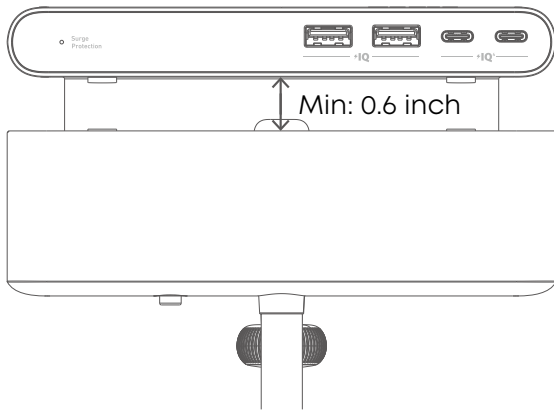
At a Glance



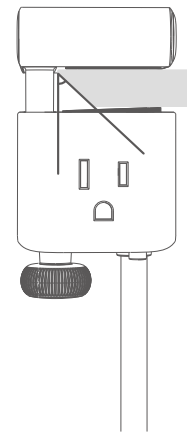
1. Surge Protection Light (Surge protection: 1500J)
*Surge: momentary overvoltage beyond normal range.
2. AC Outlet × 6
3. USB-A Port × 2
4. USB-C Port × 2
5. Knob
· Turn the knob to adjust the clamping range.
6. Overload Protector
· Automatically disconnect to protect devices when overloaded.
· Press the switch to resume operation.

Power Strip Installation

To install the power strip and use it normally, check your desktop before installation.

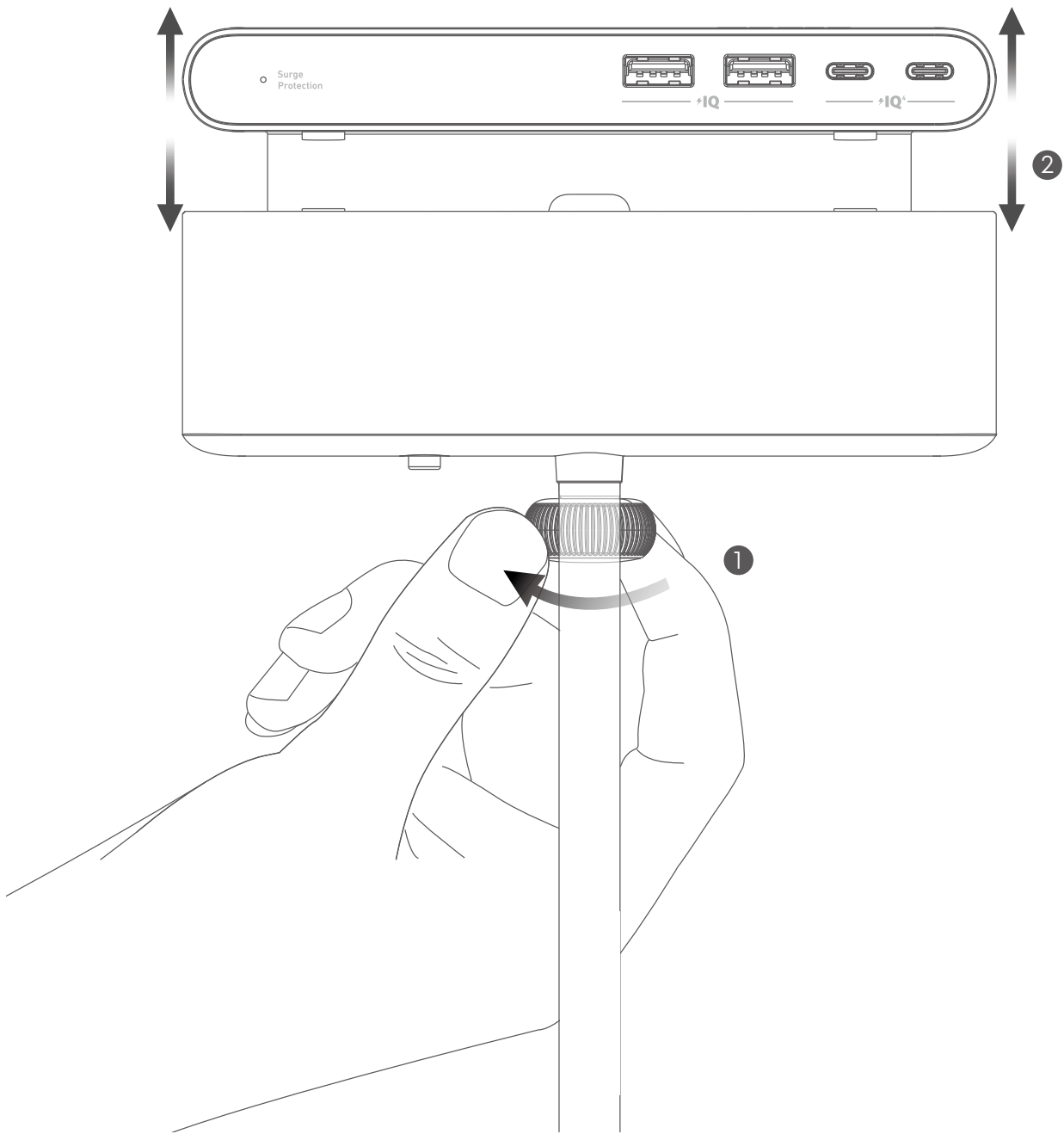


Min: 0°

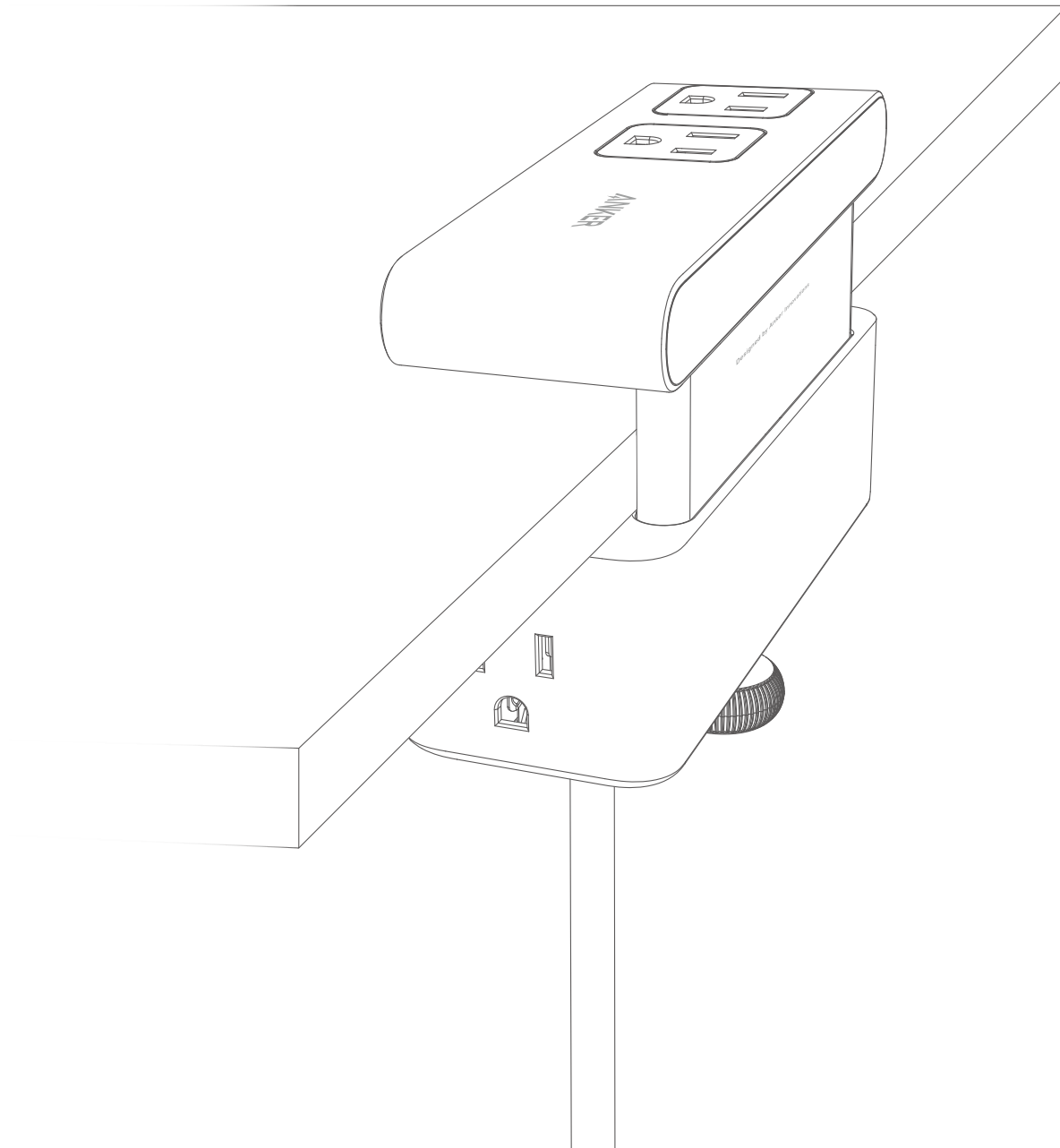


Max: 45°

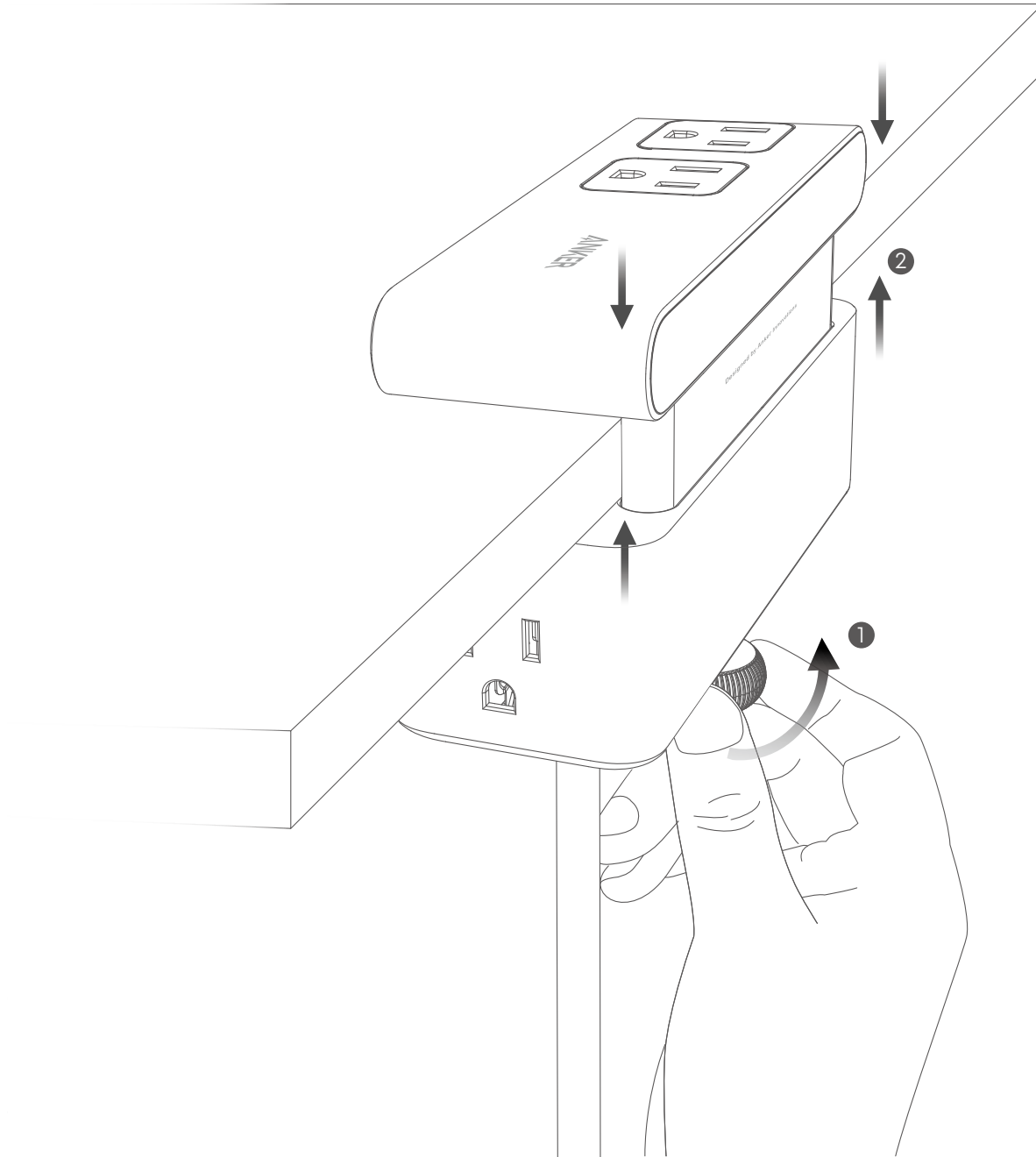
1. Turn the knob in the direction of the arrow to loosen.



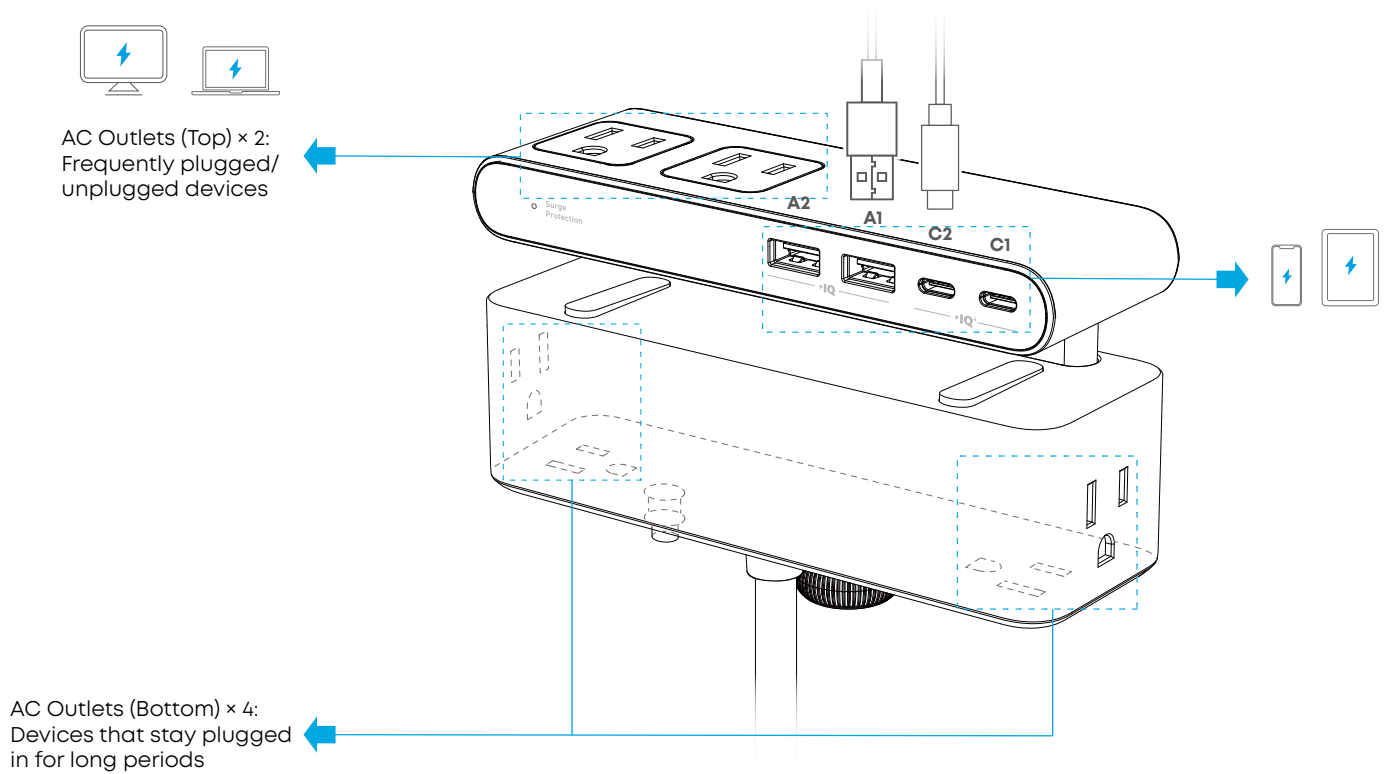
2. Position the clamp securely on your desk.



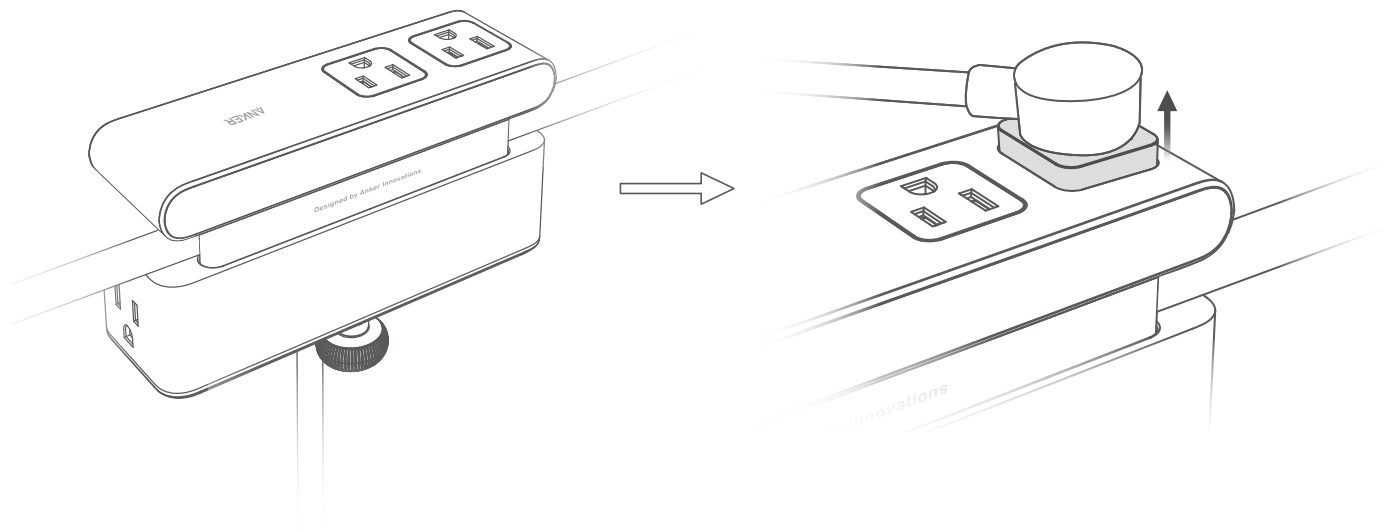
3. Turn the knob in the direction of the arrow to tighten. Make sure the power strip is securely clamped to the desk.



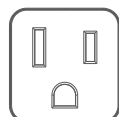
Charging Your Devices



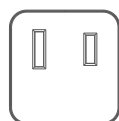
When a plug is inserted into the AC outlet on the top, the outlet frame pops up.



Types of Outlets



For sale outside Japan



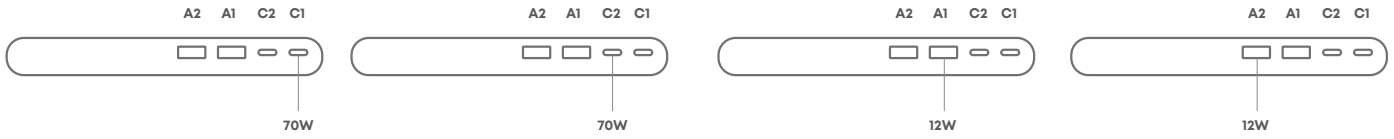
For sale in Japan

When the power strip is connected to a power outlet, the Surge Protection Light will turn white. The surge protection feature can protect your computers, smartphones and other electronic equipment

against voltage fluctuations, surges, and spikes. If the surge protection light is off, it indicates that surge protection is not functioning normally.

Power Distributions

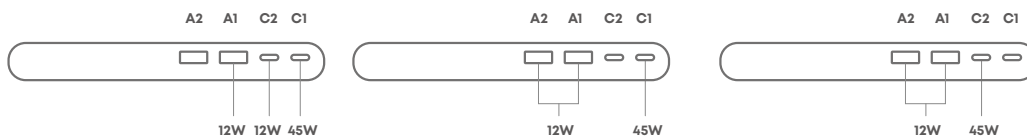
Single Port in Use



Two Ports in Use

	<p>Device Combination:</p> <ul style="list-style-type: none"> Laptop 45W + Phone 25W Samsung 45W + Others (non-Samsung) 25W Dual Samsung (C1 prioritized, 45W)
	<p>Device Combination:</p> <ul style="list-style-type: none"> Laptop + Laptop Dual Phones (non-Samsung)
	<p>Device Combination: Laptop + Small Device</p>
	<p>C Port + A Port in Use: C: 45W, A: 12W After 10 mins with A port powering a low-power device → C: 65W, A: 5W</p>
	<p>Two A Ports in Use: Total 12W</p>

Three Ports in Use



Four Ports in Use



Note: Laptops with charging thresholds are recommended to use AC outlets for charging.

Connected Equipment Warranty

Anker Innovations Limited (“Anker”) offers a limited Connected Equipment Warranty (CEW) for Anker Power Strips and Outlet Extenders as listed below. The product shall be purchased originally from Anker and free of defects in design, assembly, material, or workmanship. Anker reserves the right to update, amend, and/or revise the terms of this CEW.

For more details about the CEW, please refer to the official website:

<https://us.anker.com/pages/connected-equipment-warranty>

Or scan the QR code below:



Specifications

Input Electrical Rating	125V~, 60Hz, 15A, 1875W
USB Output (Sequence from Right to Left: C1-C2, A1-A2)	Single Port In Use: USB-C1 / C2: 5V = 3A / 9V = 3A / 15V = 3A / 20V = 3.5A (70W Max) USB-A1 / USB-A2: 5V = 2.4A (12W Max) Two Ports in Use: 70W Max Three Ports in Use: 69W Max Four Ports in Use: 69W Max Total Output: 70W Max

Note: The built-in USB module supports an input voltage of 100-240V~, 50-60Hz.