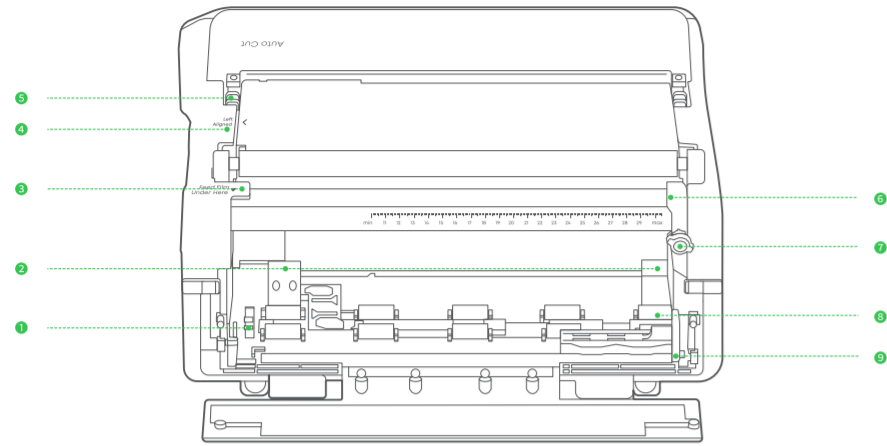


# Roll-to-Film Attachment for UV Printer E1

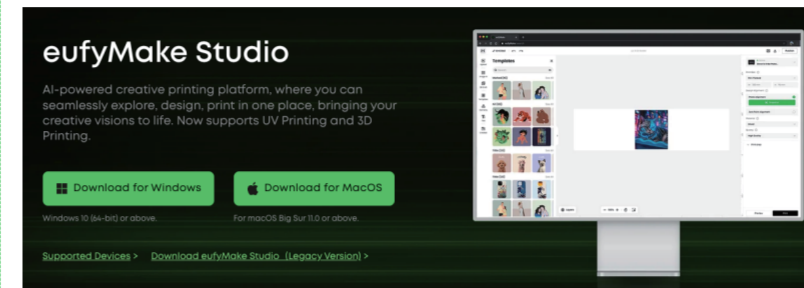
## Quick Start Guide

### At a Glance

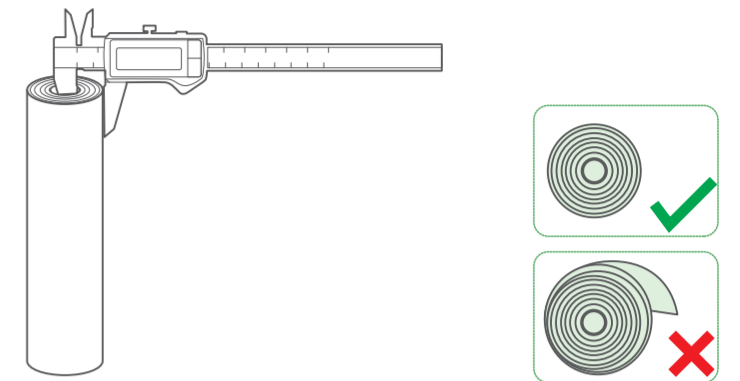


- EN: **1 Film roll sensor:** Detects whether the film rolls are loaded correctly.  
**2 Stop block:** Used to stabilize the film rolls.  
**3 Feeding sensor:** Detects whether the film rolls are installed correctly.  
**4 Left side limiter:** Keeps the film rolls aligned to the left.  
**5 Slide switch:** Used to release or press down the pressure rod.  
**6 Alignment knob:** Prevents deviation.  
**7 Alignment knob:** Used to move and fix the alignment block.  
**8 Film roll holder:** Supports the film rolls for easy installation or placement.  
**9 Alignment guide:** Keeps the film rolls aligned to the right.

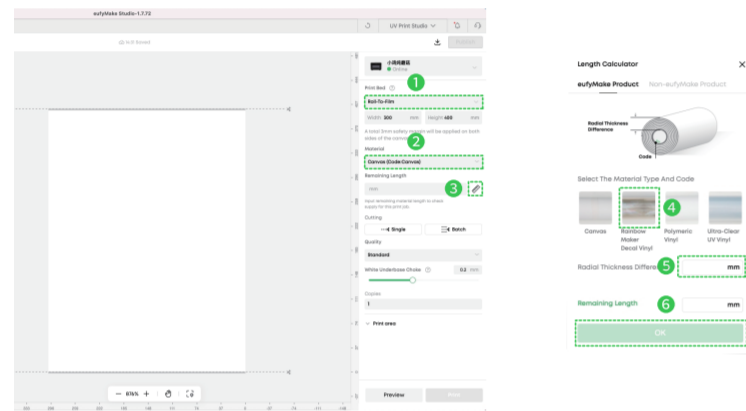
- 1.** Download the eufyMake Studio software using the link below.  
<https://www.eufymake.com/eufymake-studio>



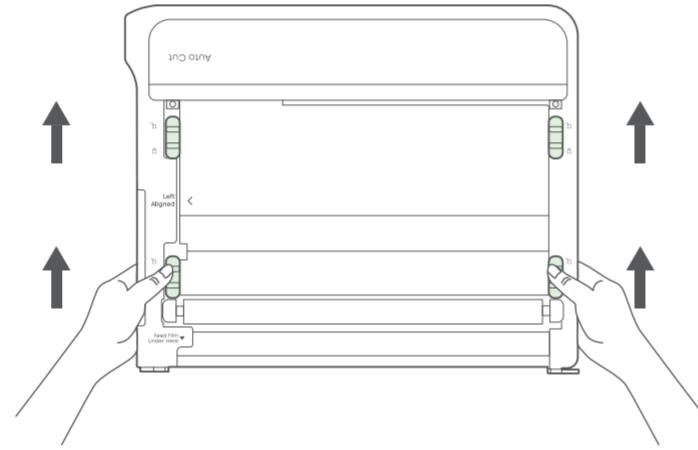
- 2.** Wind the film roll up tightly, and then use calipers to measure its thickness.



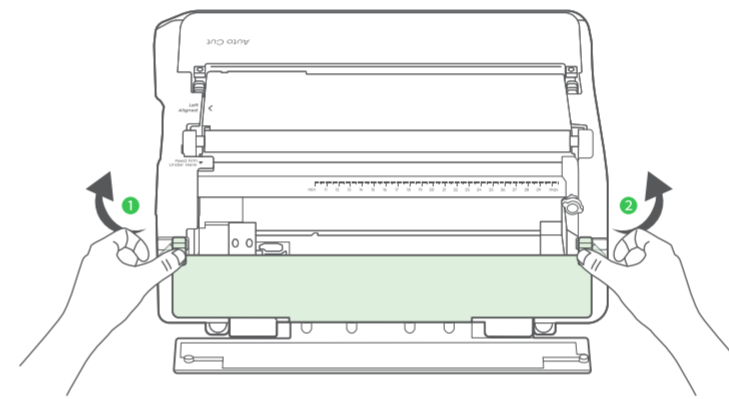
- 3.** Enter the measured values into the eufyMake Studio software to calculate how much of the roll is left.



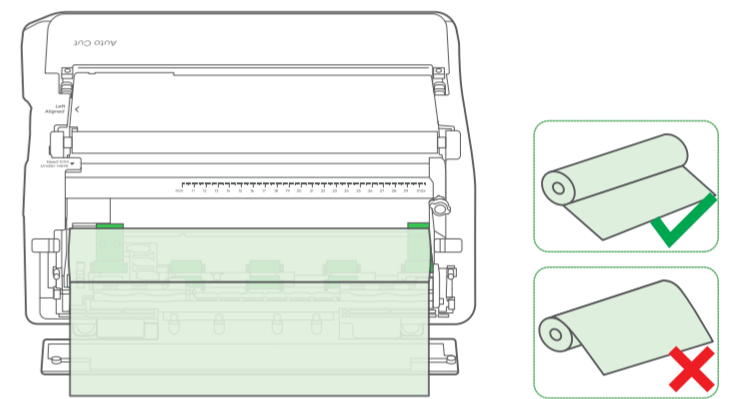
- 4.** Push the slide switch to release the pressure rod.



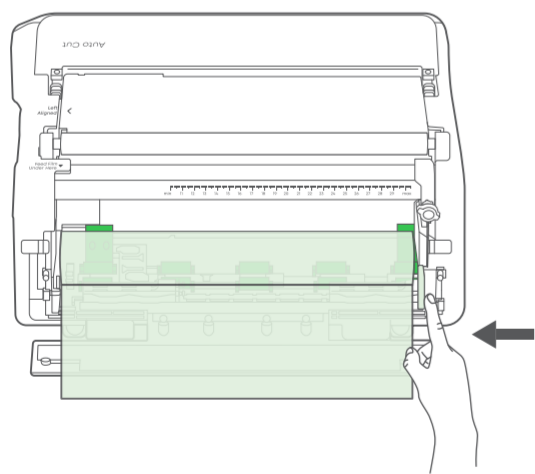
- 5.** Twist the clasps to open the inlet cover.



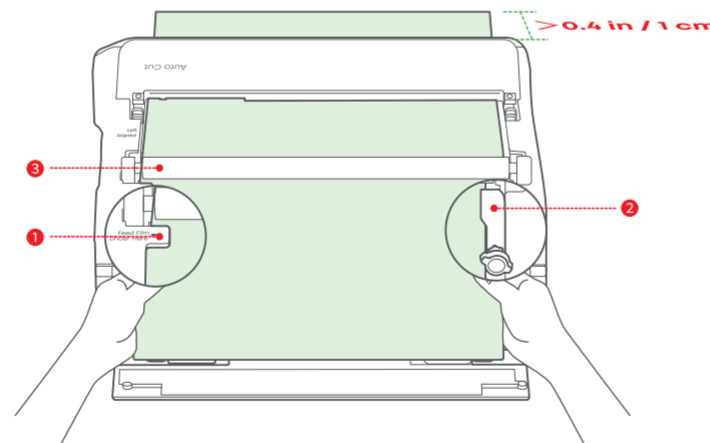
- 6.** Load the film roll onto the film roll holder in the correct direction.



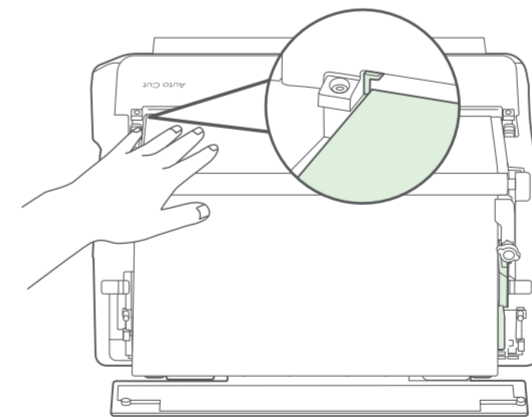
- 7.** Push the alignment block left against the right-hand side of the film roll.



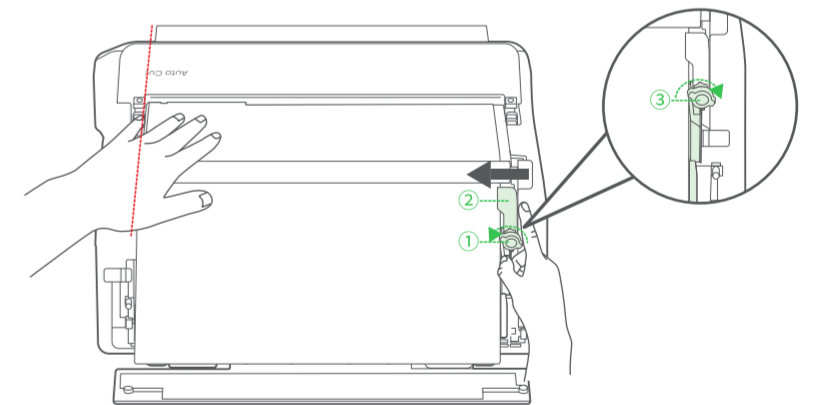
- 8.** Unroll the film roll and feed it sequentially through the feeding sensor **1**, the alignment knob **2**, and the pressure rod **3**. Then pull the film roll out by around 0.4 in / 1 cm.



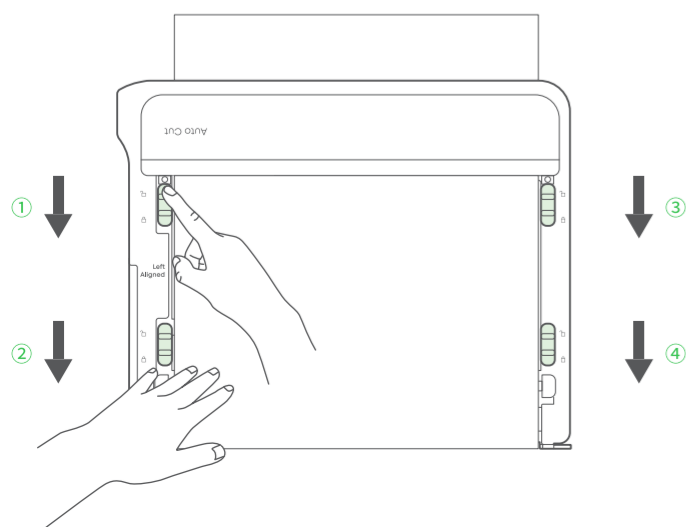
- 9.** Palm the film roll flat with your hand and make sure its left edge is against the left side limiter.



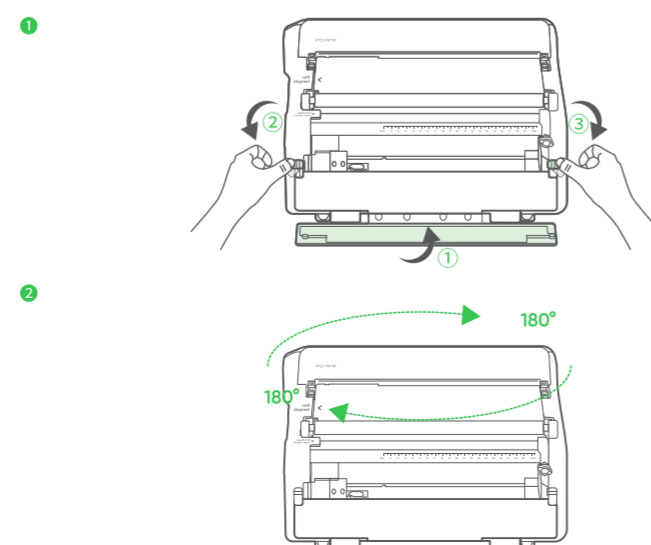
- 10.** Turn the alignment knob counterclockwise and push the alignment block to the left until it is against the right-hand side of the film roll. Secure it in place by turning the knob clockwise.



- 11.** Switch the four slide locks to press down the pressure rod.

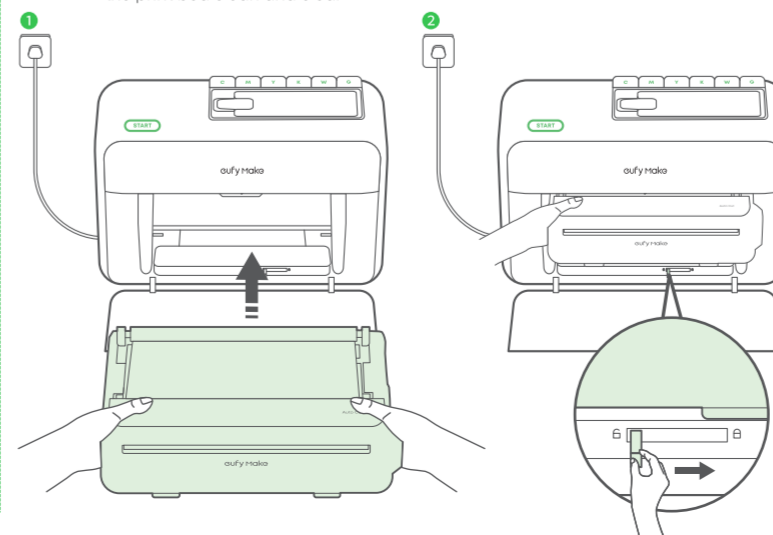


- 12.** The film roll is now loaded. Close the cover and secure it by twisting the clasps. Turn it over so that you are facing the front.



- 13.** Slide the roll-to-film attachment into the printer compartment with one hand and secure it by closing the latch with the other hand.

**💡** To prevent the printed object from getting dirty or scratched if it accidentally falls, keep the print bed clean and clear.



- 14.** You can now start the printing process using the eufyMake Studio software.



# Roll-to-Film Attachment for UV Printer E1

## Safety

### Important Safety Instructions



- Read these instructions. All safety and operating instructions must be read before operating this product.
- Please refer to the information on the exterior bottom enclosure for electrical and safety instructions before installing or operating the product.
- Do not disassemble the product. Take it to a qualified service person for servicing or repair. Incorrect reassembly may result in a risk of fire or electric shock.
- Be careful when replacing the blade. If you get injured, seek medical attention immediately.
- This appliance is not intended for use by persons (including children) with reduced physical, sensory, or mental capabilities, or a lack of experience or knowledge, unless they have received supervision or instruction regarding its use from a person responsible for their safety.
- This equipment is not suitable for use in locations where children are likely to be present. Children should be supervised to ensure that they do not play with the appliance.
- The maximum operating temperature is 35°C (95°F).


### Hygiene & Personal Protection

- Use eye protection. Always wear protective glasses or goggles. Avoid wearing contact lenses while working. Never look directly at the UV radiation source (lamps) even with eye protection.
- Use protective gloves. Purchase gloves from reputable suppliers, as inferior quality gloves may increase the risk of developing contact dermatitis (irritation, etc.). Be aware that protective gloves may increase the risk of entanglement. Keep hands away from operating rotating shafts, rollers, and other equipment with moving parts.
- Eating, drinking, and smoking are prohibited in all areas where this device is located.
- Wear solvent-resistant protective gloves when cleaning the equipment or floor stains with solvents.

### Operating

- Make sure that the printer is operated in a well-ventilated workplace with proper air circulation.
- Do not move the device while it is plugged in or operating.

 Indoor Use only

 Moving Parts! Keep body parts away from moving parts.

 Caution: Sharp edges! Be careful not to scratch or cut your fingers.

### Instrucciones de seguridad importantes



- Read these instructions. All safety and operating instructions must be read before operating this product.
- Please refer to the information on the exterior bottom enclosure for electrical and safety instructions before installing or operating the product.
- Do not disassemble the product. Take it to a qualified service person for servicing or repair. Incorrect reassembly may result in a risk of fire or electric shock.
- Avoid scratching yourself when replacing the blade. If you get injured, seek medical attention immediately.
- This appliance is not intended for use by persons (including children) with reduced physical, sensory, or mental capabilities, or a lack of experience or knowledge, unless they have received supervision or instruction regarding its use from a person responsible for their safety.
- This equipment is not suitable for use in locations where children are likely to be present. Children should be supervised to ensure that they do not play with the appliance.
- The maximum operating temperature is 35°C (95°F).

### Higiene y Protección Personal

- Use eye protection. Always wear protective glasses or goggles. Avoid wearing contact lenses while working. Never look directly at the UV radiation source (lamps) even with eye protection.
- Use protective gloves. Purchase gloves from reputable suppliers, as inferior quality gloves may increase the risk of developing contact dermatitis (irritation, etc.). Be aware that protective gloves may increase the risk of entanglement. Keep hands away from operating rotating shafts, rollers, and other equipment with moving parts.
- Eating, drinking, and smoking are prohibited in all areas where this device is located.
- Wear solvent-resistant protective gloves when cleaning the equipment or floor stains with solvents.

### Operando

- Make sure that the printer is operated in a well-ventilated workplace with proper air circulation.
- Do not move the device while it is plugged in or operating.

 Solo para uso en interiores

 ¡Piezas móviles! Mantenga las partes del cuerpo alejadas de las piezas en movimiento.

 Caution: Sharp edges! Be careful not to scratch or cut your fingers.

### Consignes de Sécurité Importantes



- Read these instructions. All safety and operating instructions must be read before operating this product.
- Please refer to the information on the exterior bottom enclosure for electrical and safety instructions before installing or operating the product.
- Do not disassemble the product. Take it to a qualified service person for servicing or repair. Incorrect reassembly may result in a risk of fire or electric shock.
- Avoid scratching yourself when replacing the blade. If you get injured, seek medical attention immediately.
- This appliance is not intended for use by persons (including children) with reduced physical, sensory, or mental capabilities, or a lack of experience or knowledge, unless they have received supervision or instruction regarding its use from a person responsible for their safety.
- This equipment is not suitable for use in locations where children are likely to be present. Children should be supervised to ensure that they do not play with the appliance.
- The maximum operating temperature is 35°C (95°F).

### Hygiène et protection personnelle

- Use eye protection. Always wear protective glasses or goggles. Avoid wearing contact lenses while working. Never look directly at the UV radiation source (lamps) even with eye protection.
- Use protective gloves. Purchase gloves from reputable suppliers, as inferior quality gloves may increase the risk of developing contact dermatitis (irritation, etc.). Be aware that protective gloves may increase the risk of entanglement. Keep hands away from operating rotating shafts, rollers, and other equipment with moving parts.
- Eating, drinking, and smoking are prohibited in all areas where this device is located.
- Wear solvent-resistant protective gloves when cleaning the equipment or floor stains with solvents.

### Fonctionnement

- Make sure that the printer is operated in a well-ventilated workplace with proper air circulation.
- Do not move the device while it is plugged in or operating.

 Usage intérieur seulement

 Pièces mobiles ! Gardez les parties du corps à l'écart des pièces en mouvement.

 Caution: Sharp edges! Be careful not to scratch or cut your fingers.

### FCC Statement

This device complies with Part 15 of the FCC Rules. Operation is subject to the following two conditions:  
(1) this device may not cause harmful interference, and (2) this device must accept any interference received, including interference that may cause undesired operation.  
Warning: Changes or modifications not expressly approved by the party responsible for compliance could void the user's authority to operate the equipment.  
NOTE: This equipment has been tested and found to comply with the limits for a Class B digital device, pursuant to part 15 of the FCC Rules. These limits are designed to provide reasonable protection against harmful interference in a residential installation. This equipment generates, uses, and can radiate radio frequency energy and, if not installed and used in accordance with the instructions, may cause harmful interference to radio communications. However, there is no guarantee that interference will not occur in a particular installation. If this equipment does cause harmful interference to radio or television reception, which can be determined by turning the equipment off and on, the user is encouraged to try to correct the interference by one or more of the following measures:  
-Reorient or relocate the receiving antenna.  
-Increase the separation between the equipment and receiver.  
-Connect the equipment into an outlet on a circuit different from that to which the receiver is connected.  
-Consult the dealer or an experienced radio/TV technician for help

#### FCC Radio Frequency Exposure Statement

This equipment must be installed and operated in accordance with provided instructions and the antenna(s) used for this transmitter must be installed to provide a separation distance of at least 20 cm from all persons and must not be collocated or operating in conjunction with any other antenna or transmitter.  
The following importer is the responsible party:  
Company Name: Fantasia Trading LLC  
Address: 5350 Ontario Mills Pkwy, Suite 100, Ontario, CA 91764  
Telephone: +1 (800) 988 7973

### IC Statement

This device contains licence-exempt transmitter(s)/receiver(s) that comply with Innovation, Science and Economic Development Canada's licence-exempt RSS(s). Operation is subject to the following two conditions:  
(1) This device may not cause interference.  
(2) This device must accept any interference, including interference that may cause undesired operation of the device.

EN

ES

FR-CA

### Déclaration de l'IC

L'émetteur/récepteur exempt de licence contenu dans le présent appareil est conforme aux CNR d'Innovation, Sciences et Développement économique Canada applicables aux appareils radio exempts de licence. L'exploitation est autorisée aux deux conditions suivantes:  
(1) L'appareil ne doit pas produire de brouillage;  
(2) L'appareil doit accepter tout brouillage radioélectrique subi, même si le brouillage est susceptible d'en compromettre le fonctionnement.