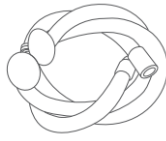


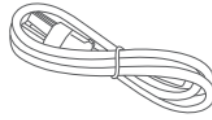
# What's in the Box



Bottle Washer



Drainage Hose



Power Cord



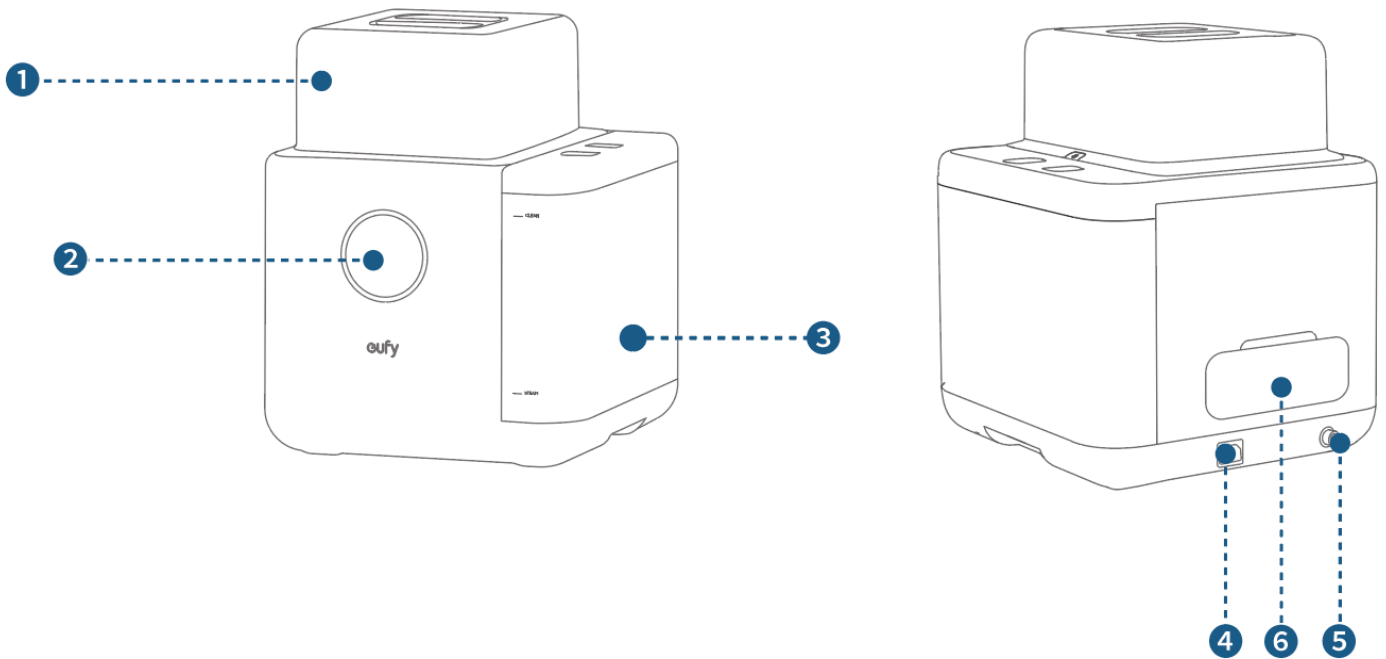
Detergent Tablets



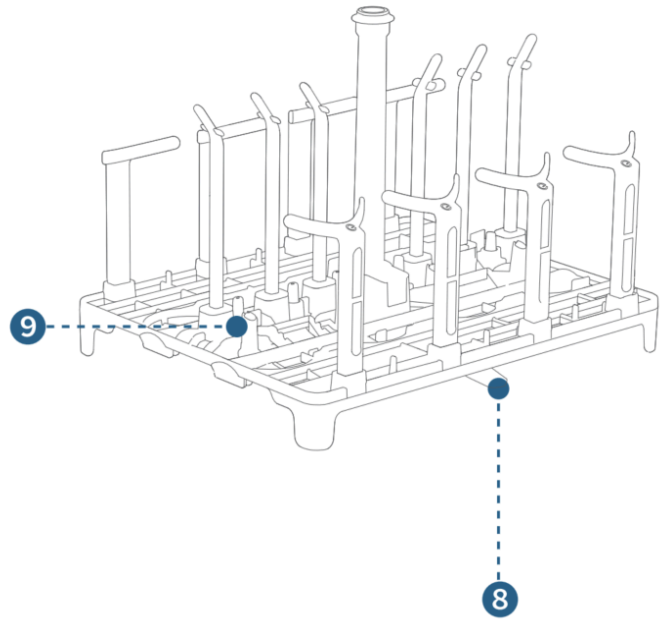
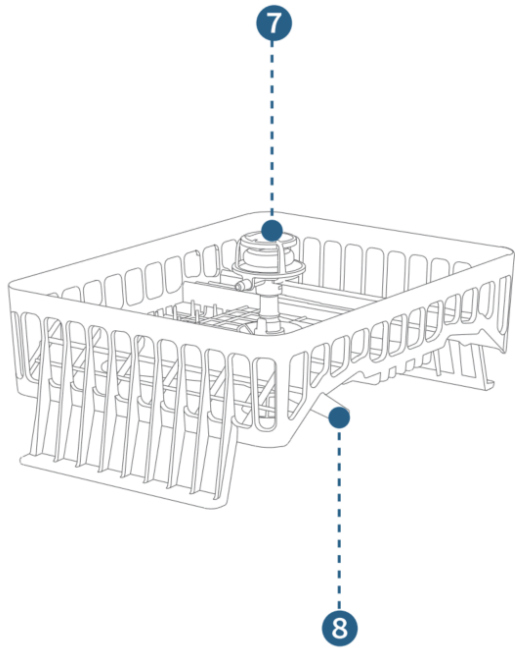
Water Softener\*

\*Not included in some bundles; sold separately

# At a Glance



- 1 Top Cover
- 2 Control Panel
- 3 Water Tank
- 4 Power Port
- 5 Drain Port
- 6 Air Filter



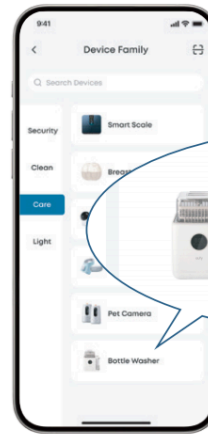
- 7 Detergent Tablet Holder
- 8 Rotating Spray Arm
- 9 Nozzle

# Before Use

## 1. Download eufy App & Add Bottle Washer

Download the eufy app, and follow the in-app instructions to add Bottle Washer.

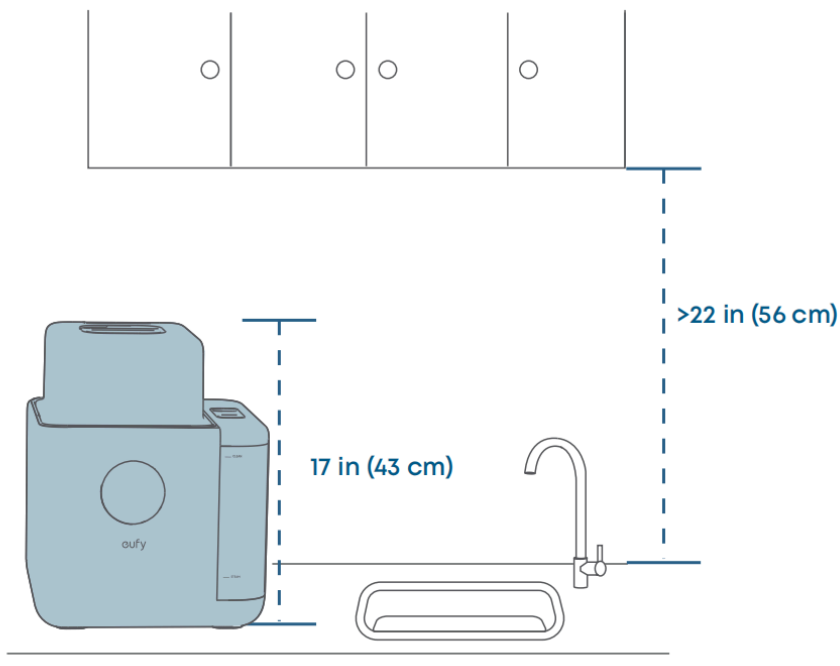
💡 Make sure your app is updated to the latest version.



## 2. Choose a Location

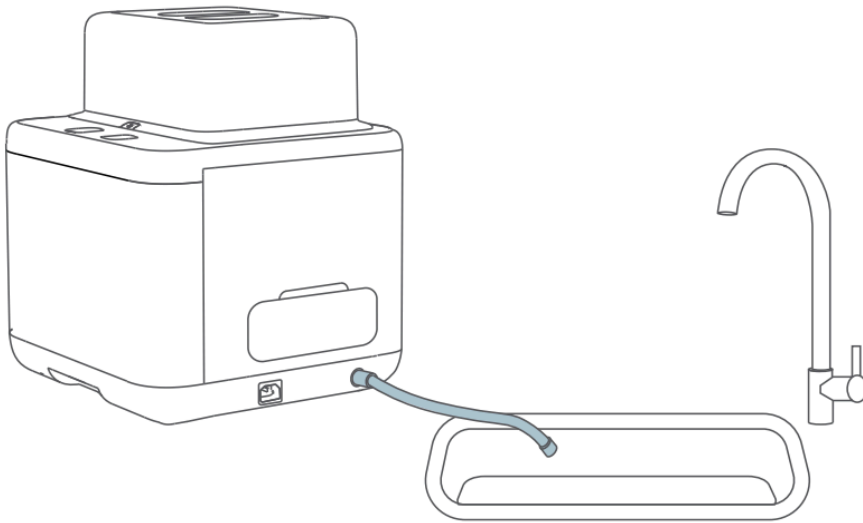
Recommended Location:

- Out of reach of children
- Flat surface near the sink
- Clear space above
- Gap to countertop >22 in (56 cm) if overhead cabinet exists



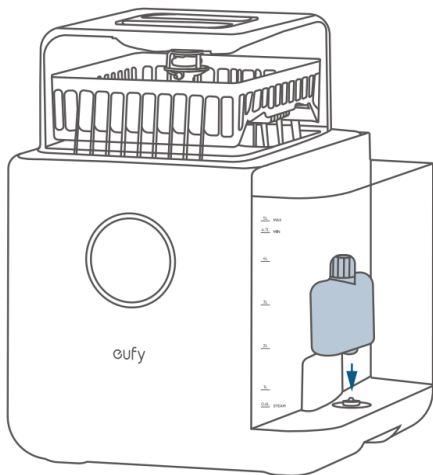
### 3. Connect Drainage Hose

Attach the drainage hose to the drain port and direct the other end into a sink.



### 4. Install Water Softener

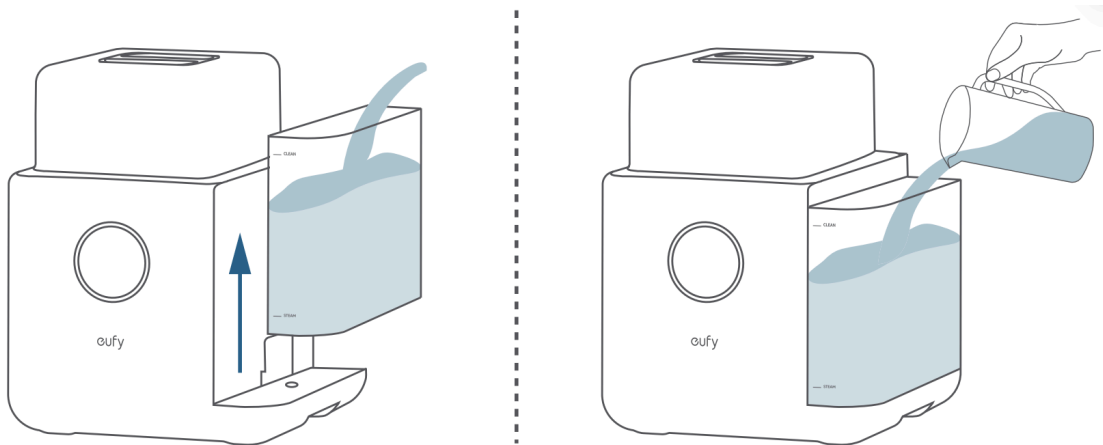
Attach the water filter to the water tank bottom; the magnet will secure it.



# Use Your Bottle Washer

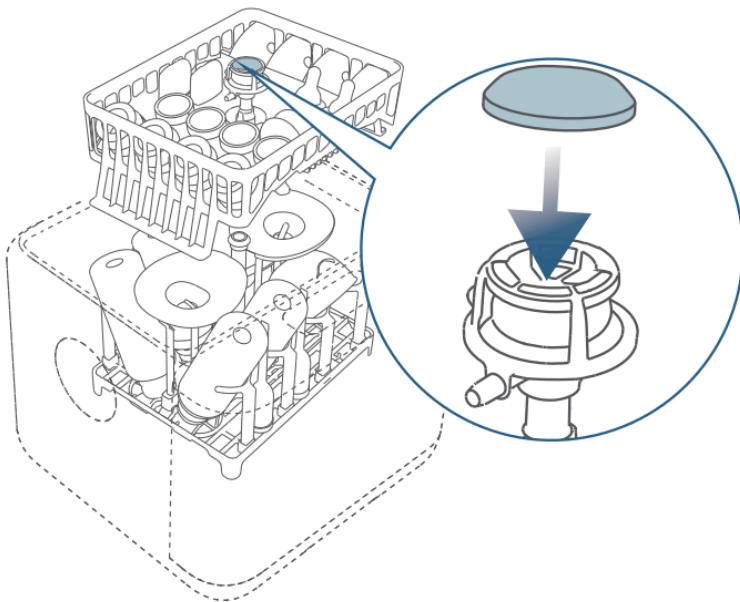
## 1. Connect to Power

Fill the water tank with distilled or purified water for the optimal cleaning performance.



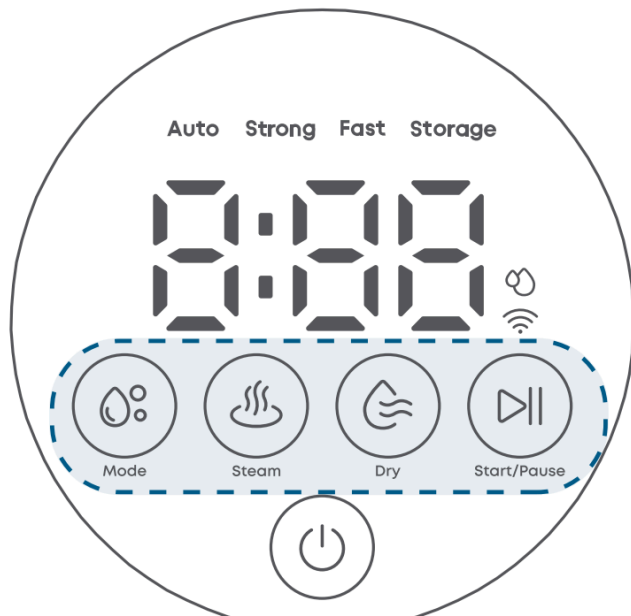
- Fill water according to the mode:
  - **CLEAN** line for washing, sterilizing, and drying.
  - **STEAM** line for sterilizing only.
- If water runs low during operation, refill and press Start/Pause button to continue.

## 2. Place Items and Detergent Tablets



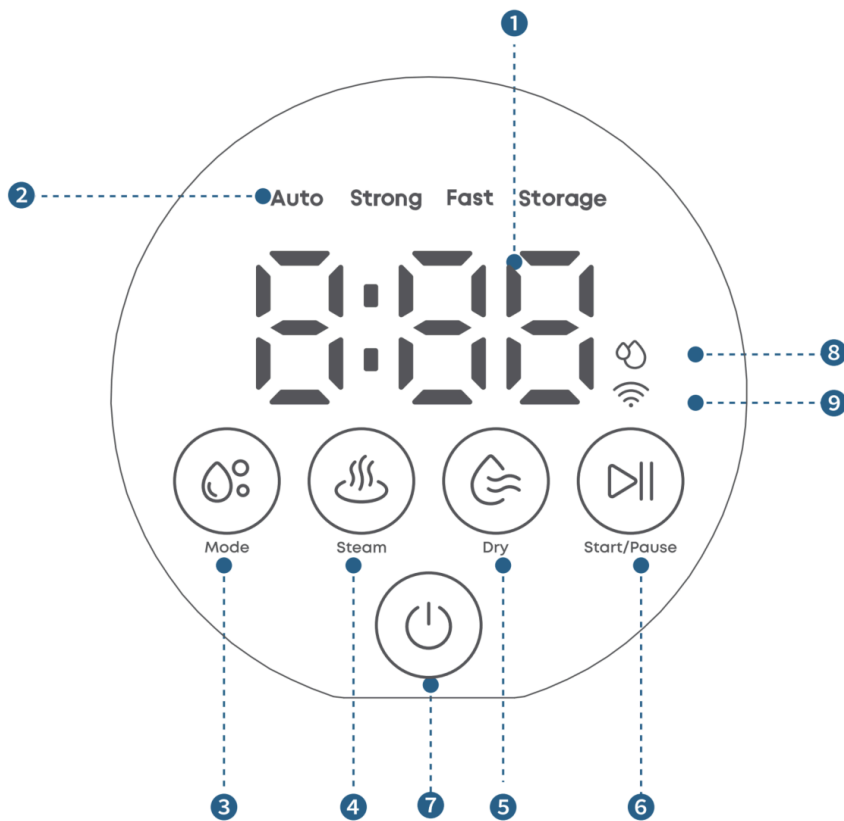
- Ensure the detergent tablet is in place.
- Do not block spray arms.
- Do not put solid food, juice, or baby food inside.

### 3. Select the Mode & Start



- Ensure the lid is securely closed before operation.
- Be careful of hot steam during operation.
- Storage Mode auto-starts after cleaning to keep items dry by circulating fresh air.
- You can remove items anytime without stopping the mode. Customize the duration or disable it via the App.
- For error code E or network issues, restart the device by reconnecting power. Contact support if unresolved.
- For error code F2, let the device rest at room temperature for 30 minutes, then restart.

## 4. Control Panel



### ① Cleaning Mode

### ② Countdown Timer

### ③ Cleaning Mode Button

Press to select a cleaning mode

- Solid white: selected
- Blinking white: cleaning in progress

### ④ Steam Button

When the Mode button is pressed, the Wash + Sterilize + Dry Mode will be turned on by default.

Press the Steam button to turn off / on the sterilization mode

- Solid white: selected
- Blinking white: sterilizing in progress

### ⑤ Dry Button

When the Mode button is pressed, the Wash + Sterilize + Dry Mode will be turned on by default.

Press the Dry button to turn off / on the drying mode

- Solid white: selected
- Blinking white: drying in progress

### ⑥ Start / Pause Button

- Short press to start or pause
- Long press (2s) to stop

### ⑦ Power Button

- Short press to power on
- Long press (2s) to power off

### ⑧ Low Water Level Alert

### ⑨ Wi-Fi Connection Status

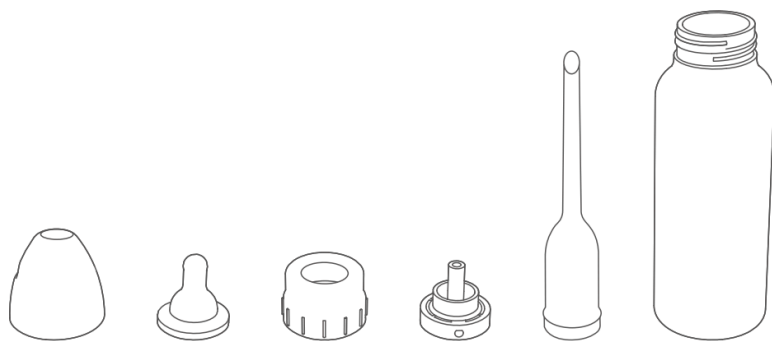
\*Enable Wi-Fi & Pairing

- Power on, and long press the Steam and Dry buttons for 5s until the Wi-Fi connection status indicator flashes
- Open eufy App on your phone to complete pairing
- Once paired, you can control the device via the App

# Pre-Wash Tips

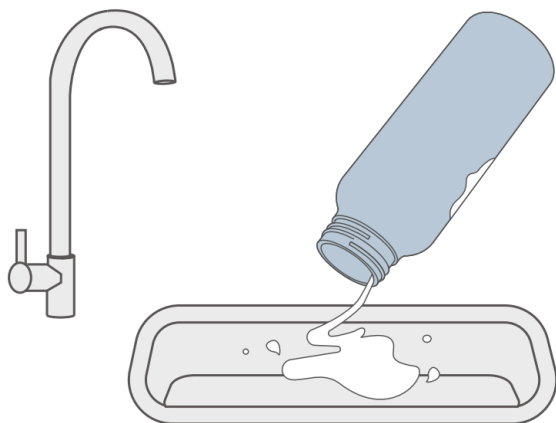
## 1. Disassemble All Parts

Separate bottles, nipples, caps, and sealing rings to avoid residue buildup in joints or gaps.



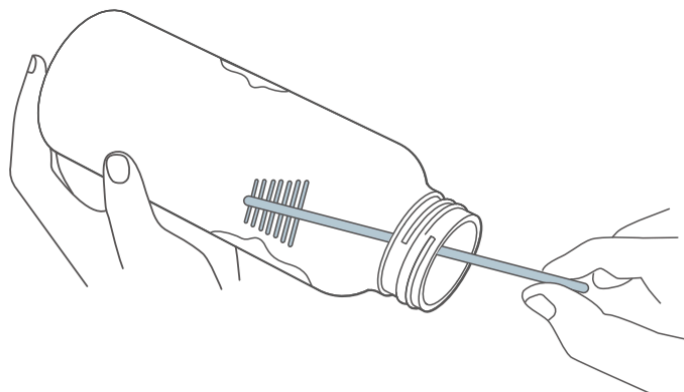
## 2. Empty Completely

Pour out all milk, formula, or water to prevent residue buildup.



## 3. Remove Debris

Check for clumps or undissolved formula. Pre-rinse if necessary.



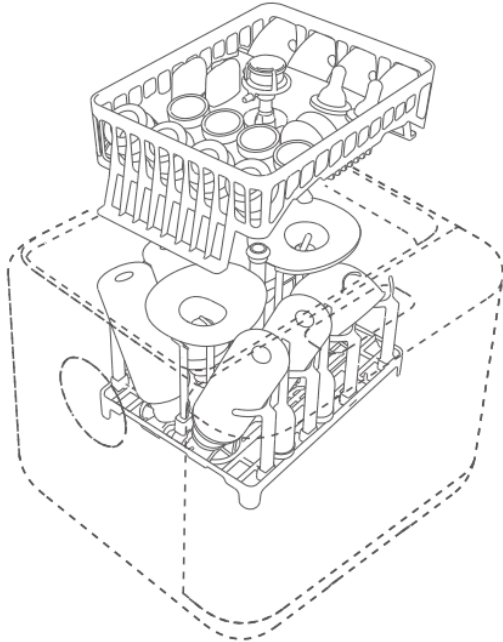
## 4. No Food or Solids

Do not place items with food remnants inside the device.



## 5. Place Properly

Place items correctly in the designated positions.



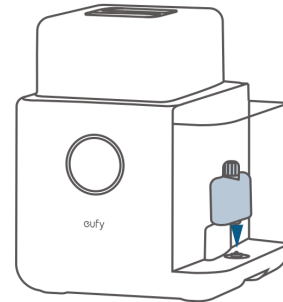
# Accessories

\*Please purchase replacement accessories from eufy Official Store to prevent device damage and ensure optimal performance.

## Water Softener\*

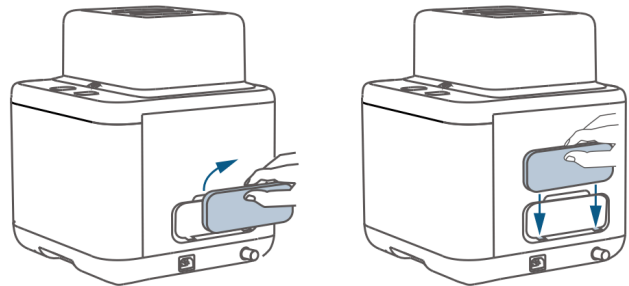
\*Not included in some bundles; sold separately

Replace every 2 months or after 60 wash cycles



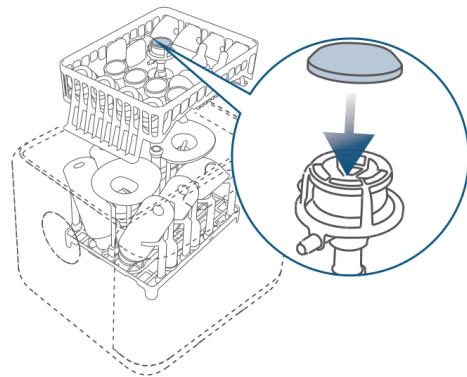
## Air Filter

Replace every 2-3 months



## Detergent Tablet

Use 1 tablet per wash cycle

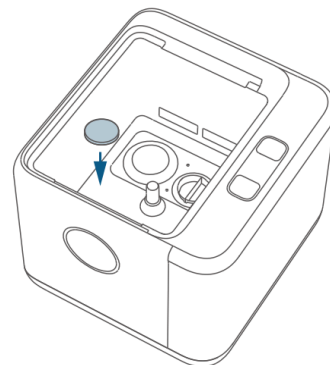


## Descaling Tablets\*

\*Available exclusively at eufy Official Store.

Descale device monthly

- Place a tablet and add water to CLEAN line
- Start via App or select Auto mode on panel



# Other Information

## **Default Open Port 1: Wi-Fi (2.4GHz)**

Port Description:

1. After initial power-on or reset, if no Wi-Fi credentials are configured, the device may enter network pairing mode (e.g., AP/BLE configuration);
2. In normal operating mode, the device automatically connects to the previously saved router SSID and password;
3. To switch Wi-Fi configuration, users can use the App or follow the instructions to reset the network.

## **Default Open Port 2: BLE (Bluetooth Low Energy)**

Port Description:

When the device enters binding mode, BLE advertising is automatically enabled, providing Bluetooth pairing (or control) services. After network configuration is completed, BLE advertising can be automatically turned off.

## **Default Open Port 3: NFC (Near Field Communication)**

Port Description:

The device automatically enables NFC functionality after power-on, periodically checking whether the built-in NFC tag's heartbeat is online.