

Device Mounting Guide

[1 Mount the Camera](#)

[At a Glance](#)

- [1. Fully Charge the Camera](#)
- [2. Select a Location and a Height](#)
- [3. Select a Solar Panel Location](#)

[Option 1: Mount the Camera and the Solar Panel Separately \(Best for Strong Solar Power\)](#)

[Option 2: Mount the Camera with the Solar Panel Attached \(Less Drilling\)](#)

[2 Install the Doorbell](#)

[At a Glance](#)

[Front View](#)

[Rear View](#)

- [1. Charging The Battery Pack](#)
- [2. Determining The Power Option](#)

[Option 1: Battery Powered](#)

[Option 2: Wire Powered](#)

[DOORBELL MOUNTING \(Battery Powered\)](#)

[3. Choose a Location](#)

[4. Mount the Bracket](#)

[5. Install the Doorbell](#)

[6. Recharging the Battery](#)

[DOORBELL MOUNTING \(Wire Powered\)](#)

[3. Check the Doorbell Wires](#)

[4. Detach the Existing Doorbell Button](#)

[5. Choose a Location](#)

[6. Mount the Bracket](#)

[7. Connect the Wires to the Doorbell](#)

[8. Install the Doorbell](#)

[9. Restore Power](#)

[3 Set Up the Smart Display](#)

[At a Glance](#)

[Smart Display](#)

[Charging Dock](#)

[WALL MOUNT](#)

[1. Adjust the Wall Mount Position with the Bubble Level](#)

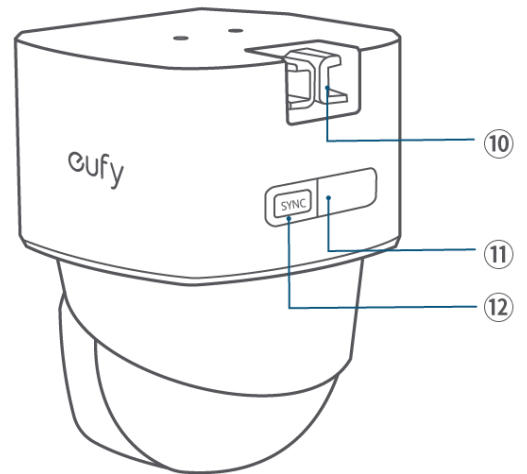
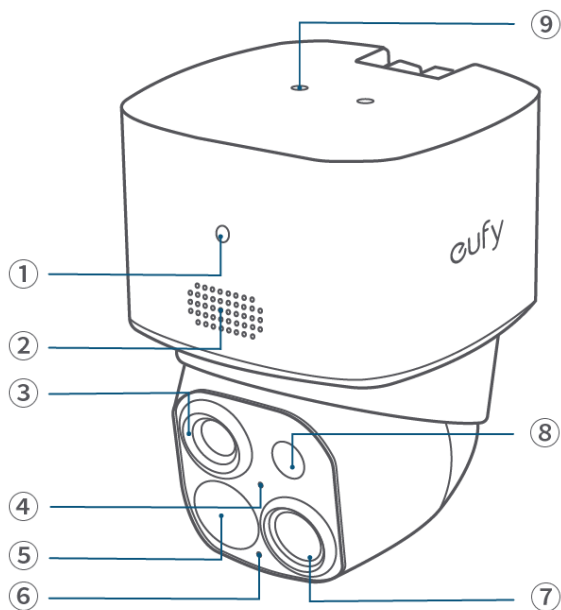
[Option 1: 3M Stickers](#)

[Option 2: Anchors and Screws](#)

[2. Fix the Cable Holder](#)

1 Mount the Camera

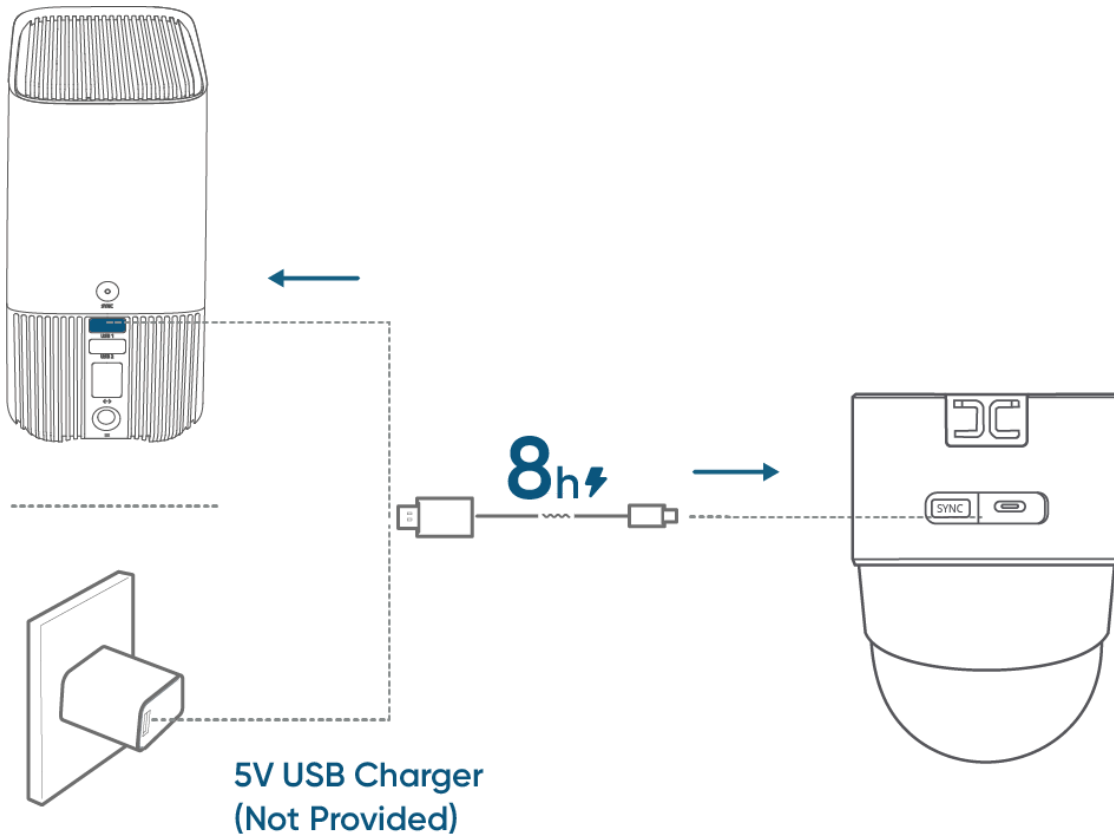
At a Glance



- ① LED Indicator
- ② Speaker
- ③ Telephoto Lens
- ④ Photosensitive Sensor
- ⑤ PIR Sensor
- ⑥ Microphone
- ⑦ Wide-Angle Lens
- ⑧ LED Light
- ⑨ Solar Panel Mounting Hole
- ⑩ Mounting Hook
- ⑪ USB-C Charging Port
- ⑫ SYNC Button

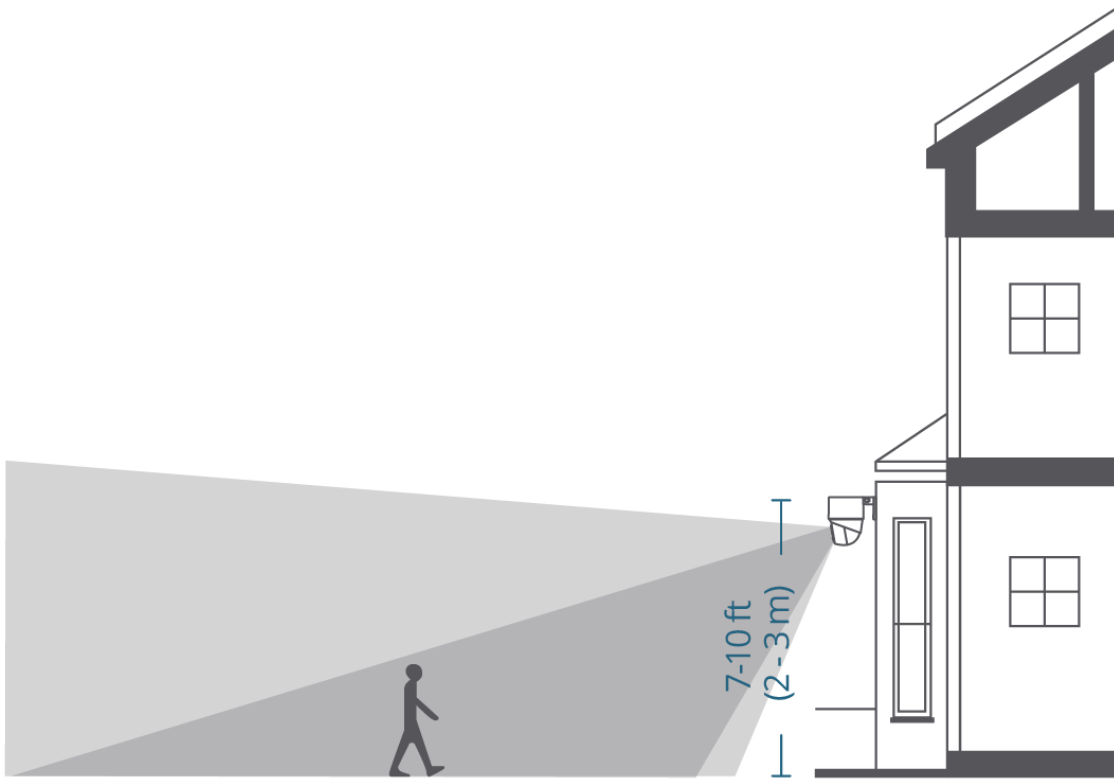
1. Fully Charge the Camera

Fully charge the cameras before first use. This may take up to 8 hours for each camera. You can check the battery level in the app.



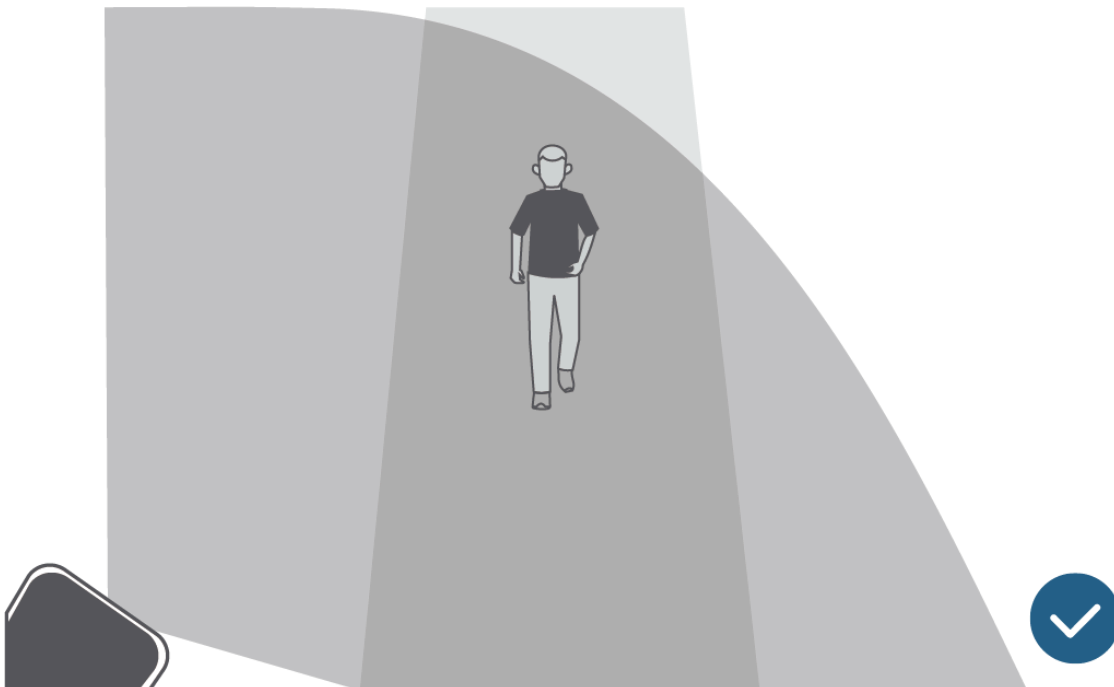
2. Select a Location and a Height

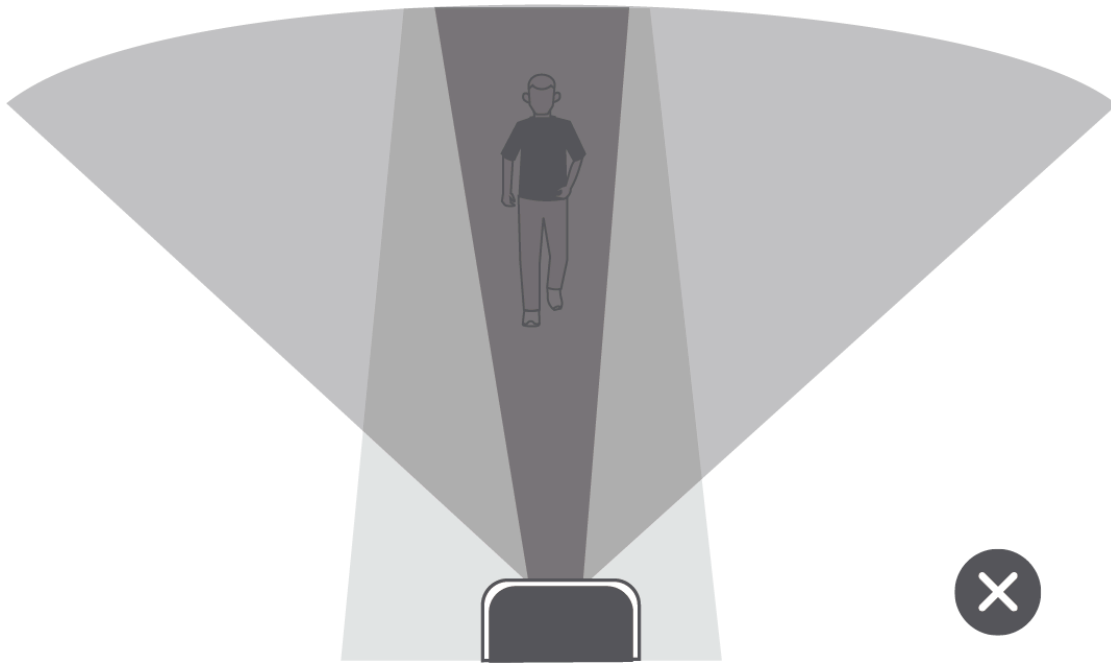
Select a location where you can get the desired view. We recommend hanging the camera 7-10 ft (2-3 m) above the ground.



Up to 32 ft (10m)

To ensure that no detection is missed, do not install the camera directly facing the monitoring area. Instead, maintain an angle to avoid any potential blind spots.

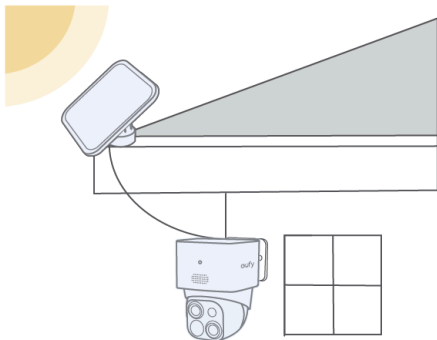




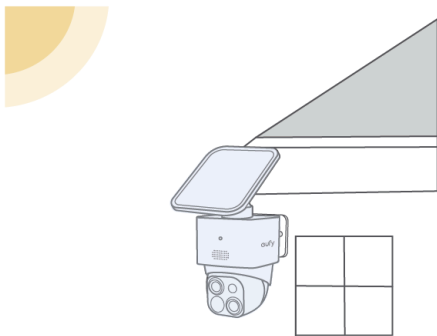
3. Select a Solar Panel Location

There are two ways to install the solar panel:

Option 1 - if the camera is blocked, install the solar panel in a different position to maximize the solar panel efficiency.



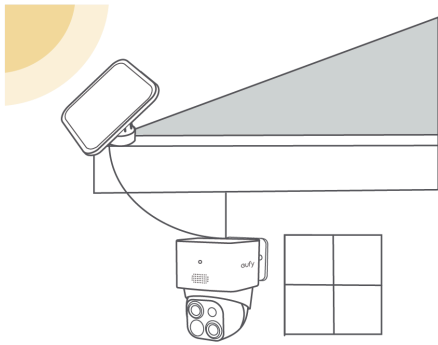
Option 2 - if the camera is not blocked, install the solar panel directly on the top of the camera.



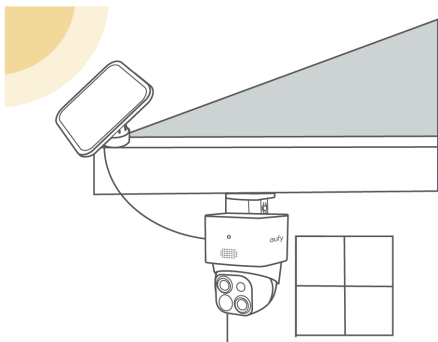
Option 1: Mount the Camera and the Solar Panel Separately (Best for Strong Solar Power)

The camera can be mounted on a wall or under the eave.

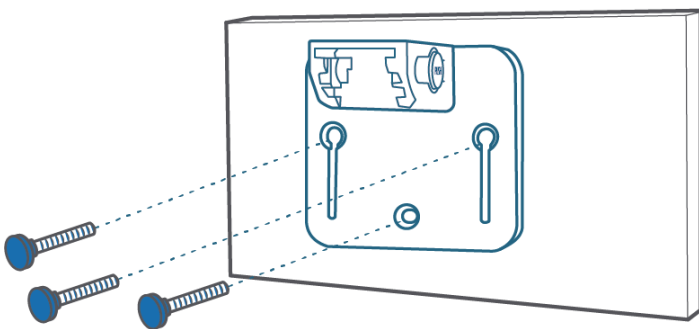
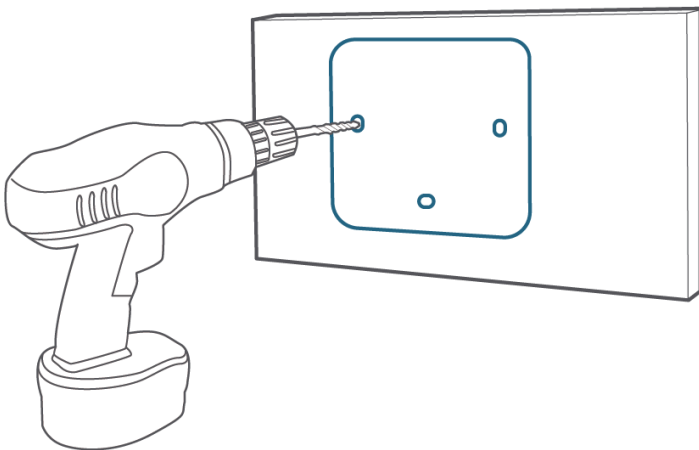
Camera mounted on the wall



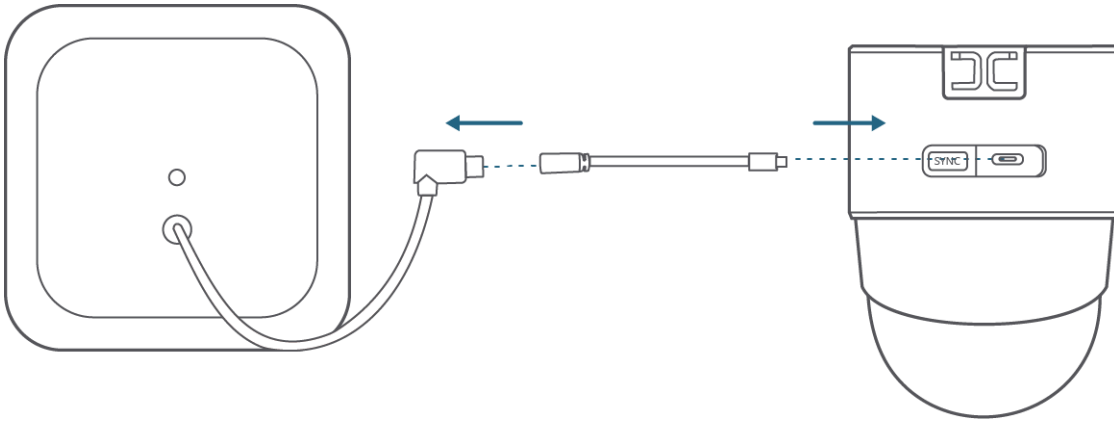
Camera mounted under the eave



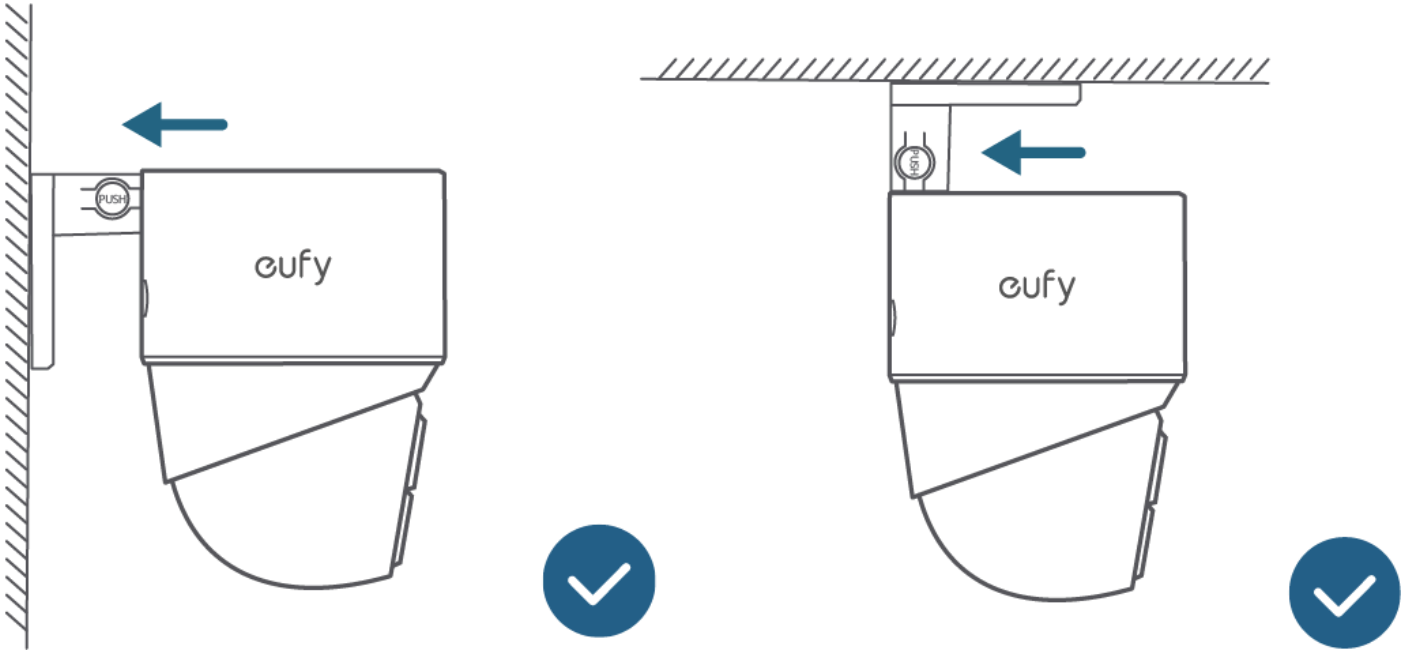
1. Drill holes with a 15/64 inch (5.95 mm) drill bit with the provided positioning card, then insert the anchors into the holes.



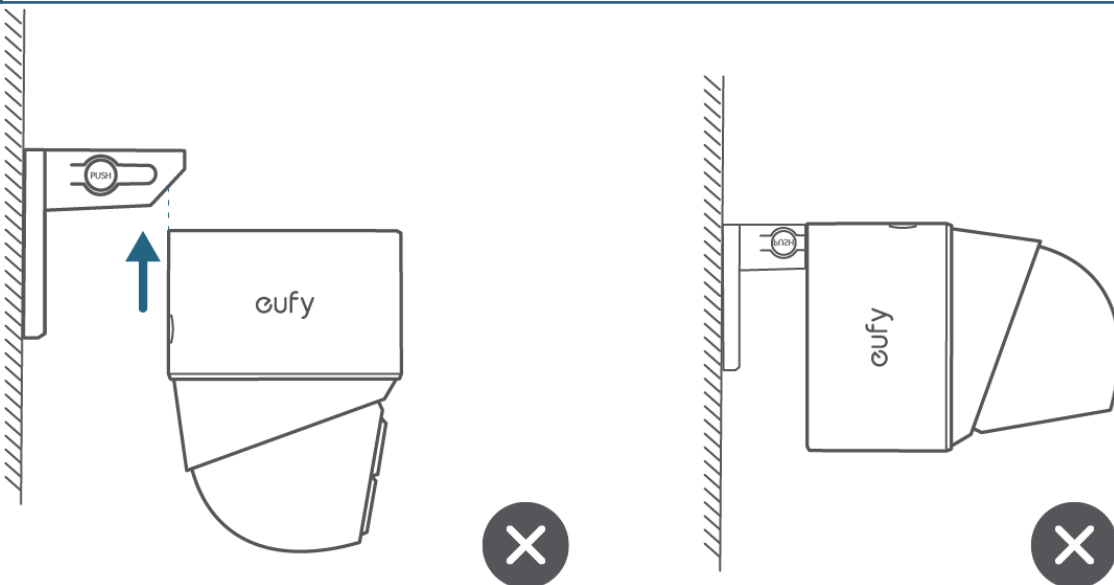
2. Connect the solar panel to the camera using the provided USB-C extension cable.

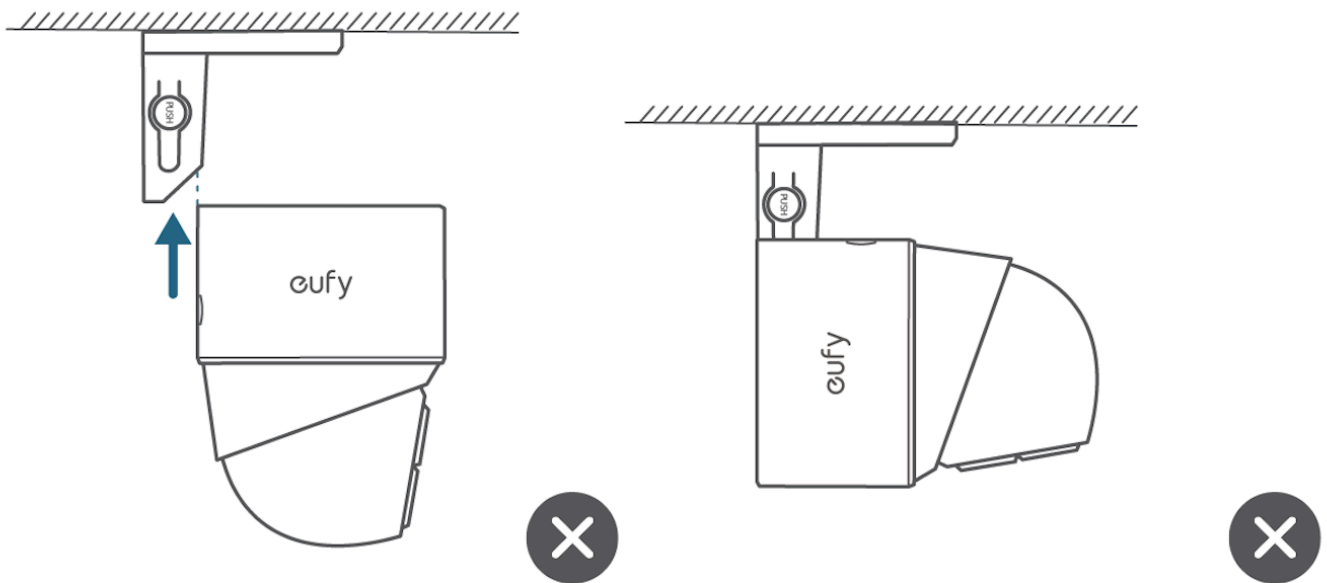


3. Firmly secure the camera onto the mounting bracket.



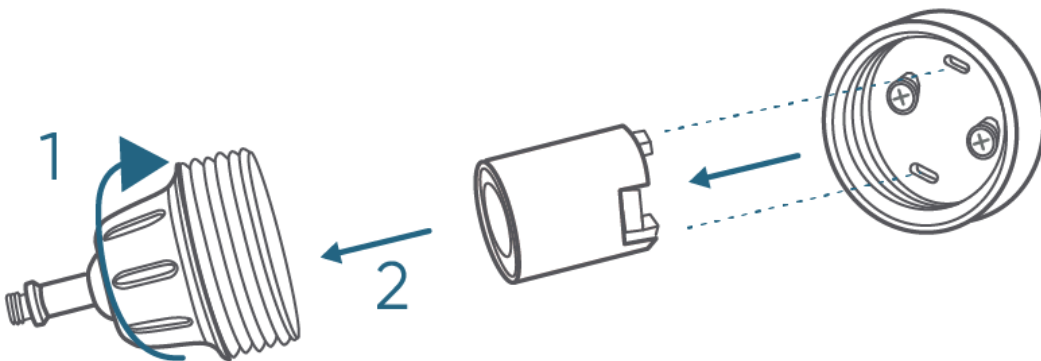
Be careful not to install by mistake.



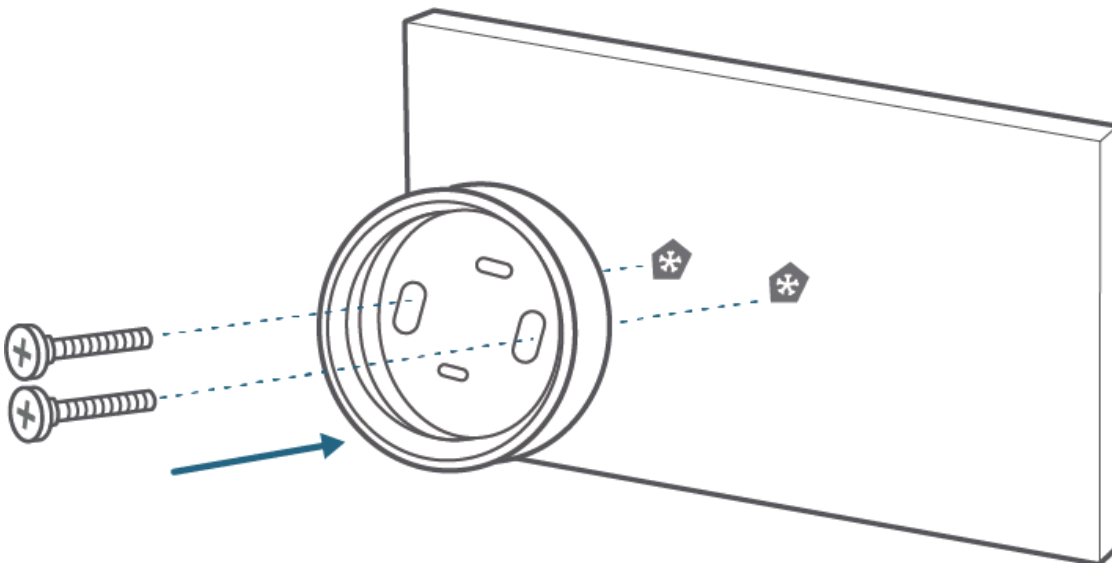


4. Install the mounting bracket of the solar panel in a suitable position.

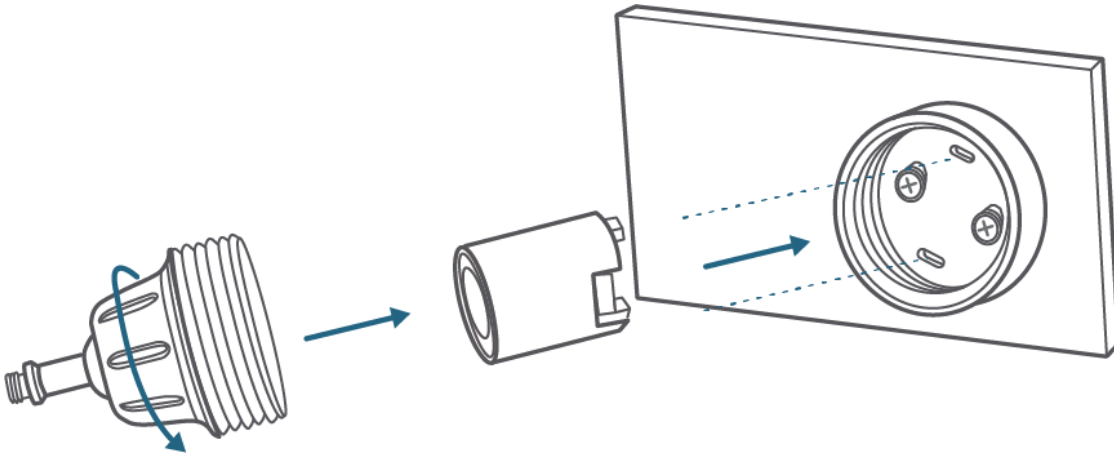
a. Unscrew the knob of the mounting bracket of the solar panel (1), and remove the supporting piece (2).



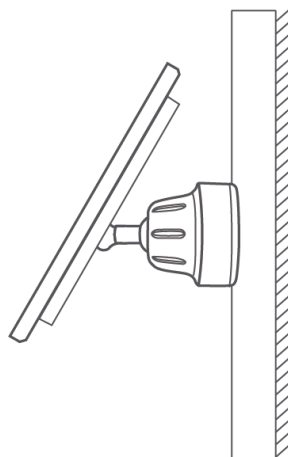
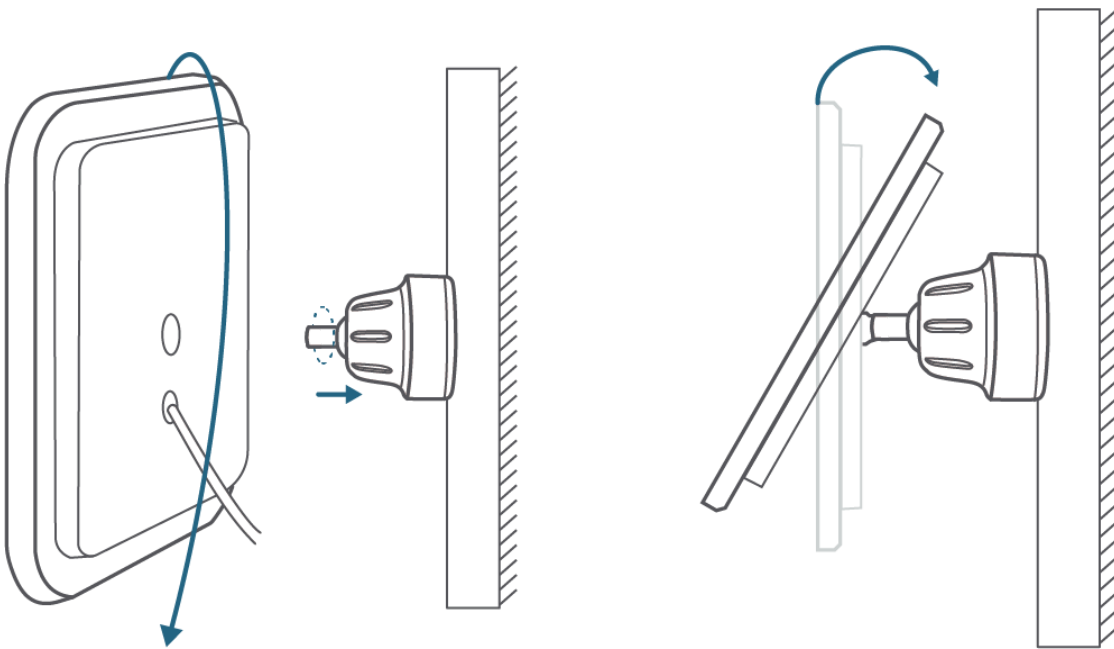
b. Reinstall the supporting piece into the base, and screw the mounting bracket tightly.



c. Secure the base of the mounting bracket to your desired position with 2 screws.

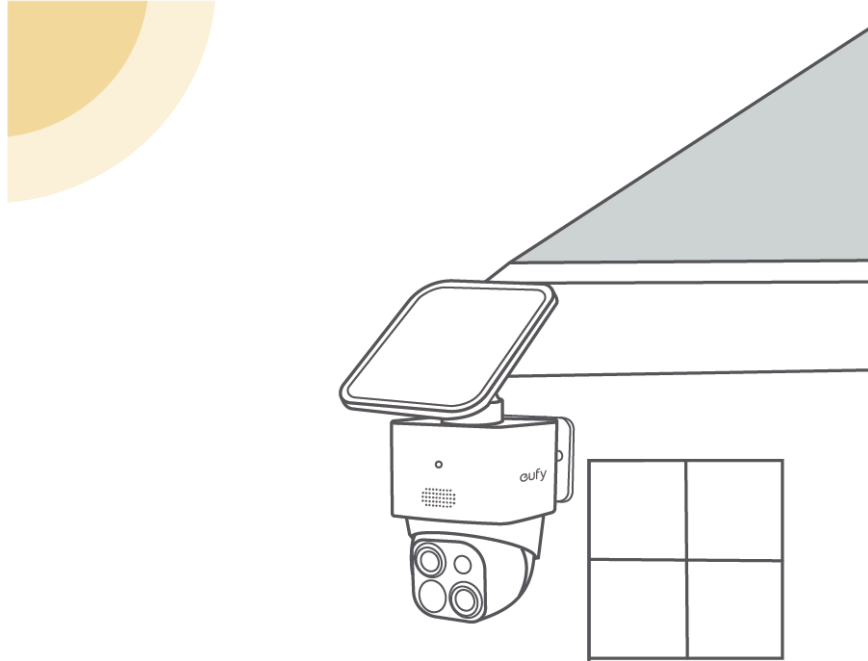


5. Install the solar panel onto its mounting bracket by turning it, then adjust the angle (20°~30° recommended).

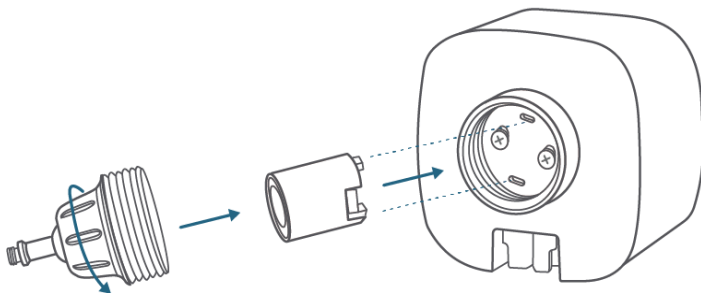
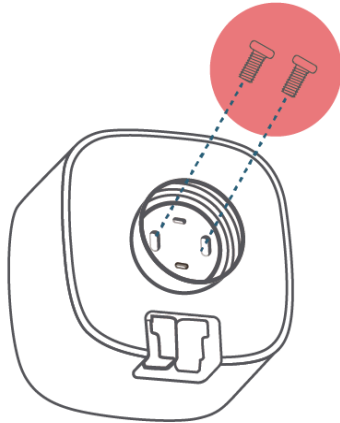


Option 2: Mount the Camera with the Solar Panel Attached (Less Drilling)

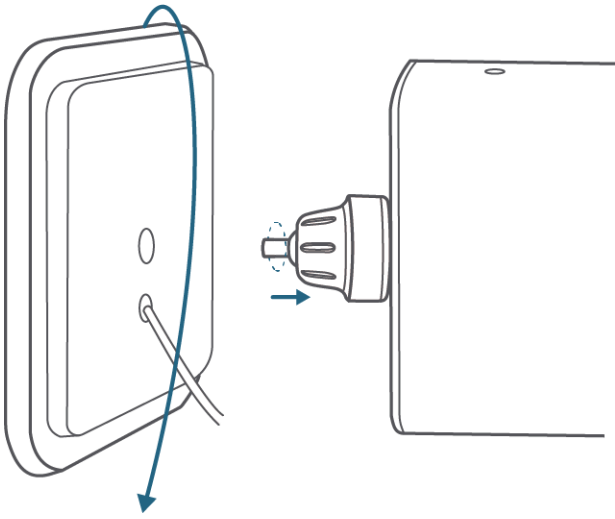
If the camera is not blocked, install the solar panel directly on the top of the camera.



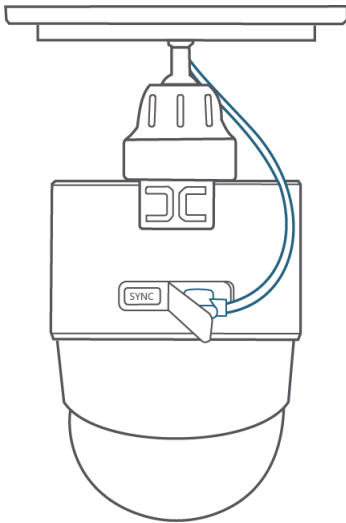
1. Use two 5mm screws to attach the solar panel bracket to the top of the camera.



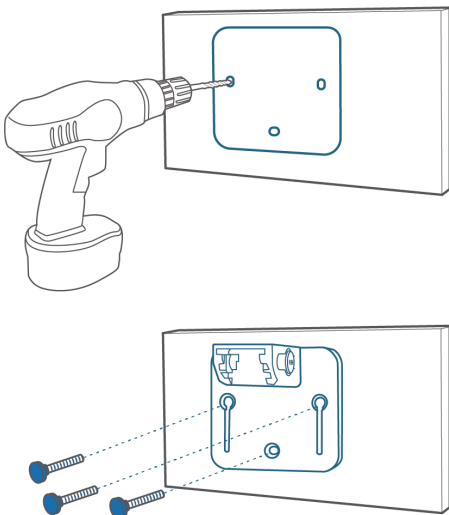
2. Install the solar panel onto the solar panel's mounting bracket by turning it.



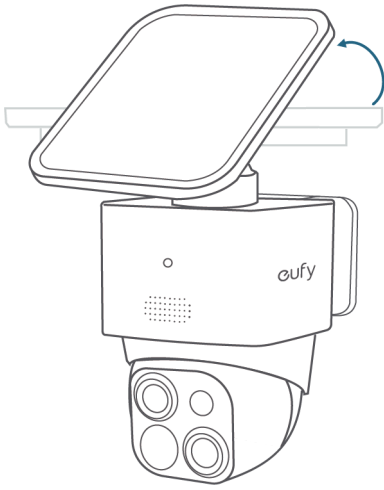
3. Connect the USB-C connector to the USB-C port of the solar panel.



4. Drill holes with a 15/64 inch (5.95 mm) drill bit with the included positioning card, then insert the anchors into the holes.



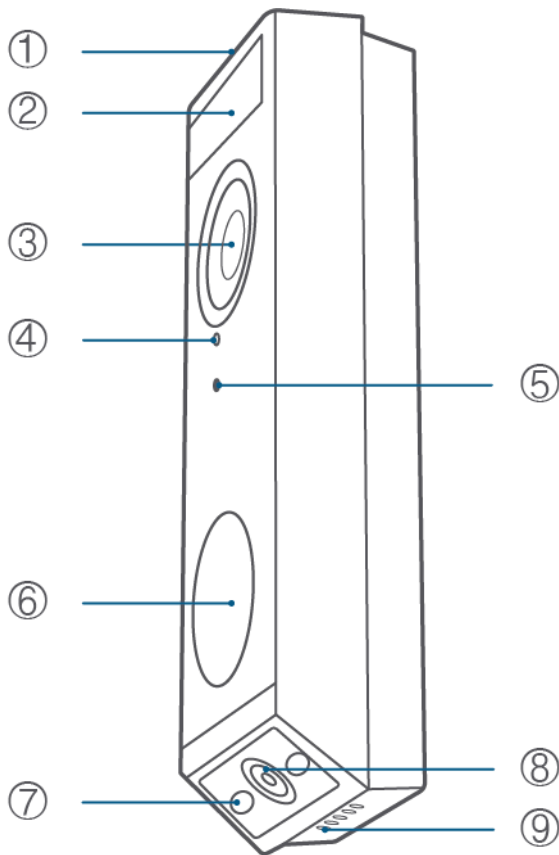
5. Firmly secure the camera onto the mounting bracket and adjust the angle (20°~30° recommended).



2 Install the Doorbell

At a Glance

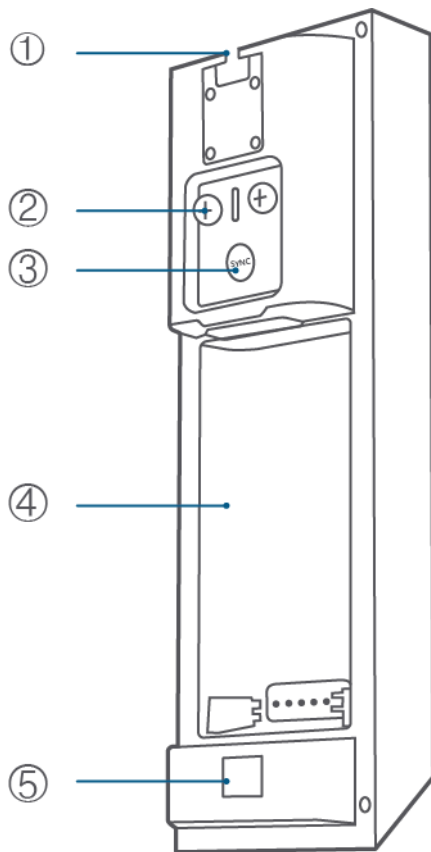
Front View



- ① LED Light
- ② Motion Sensor
- ③ Primary Camera Lens
- ④ Microphone
- ⑤ Ambient Light Sensor
- ⑥ LED Ring / Doorbell Button
- ⑦ LED Light
- ⑧ Secondary Camera Lens

⑨ Speaker

Rear View



① Detaching Mechanism

② Power Terminals for Existing Doorbell Wires (Optional)

③ SYNC Button

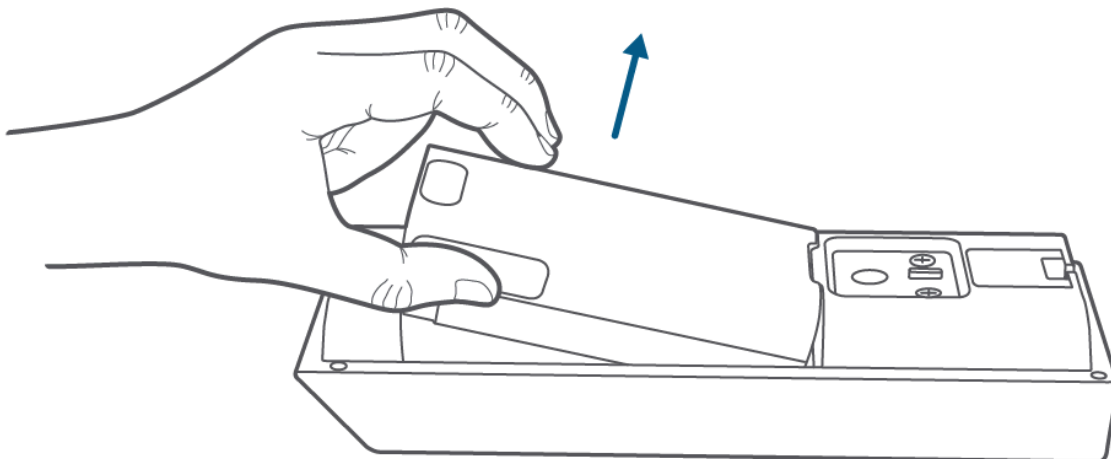
- Press to turn on the doorbell.
- Press and hold for 2 seconds until you hear a beep to set up the doorbell. (Optional)
- Press quickly 5 times within 3 seconds to turn off the doorbell.

④ Battery Compartment

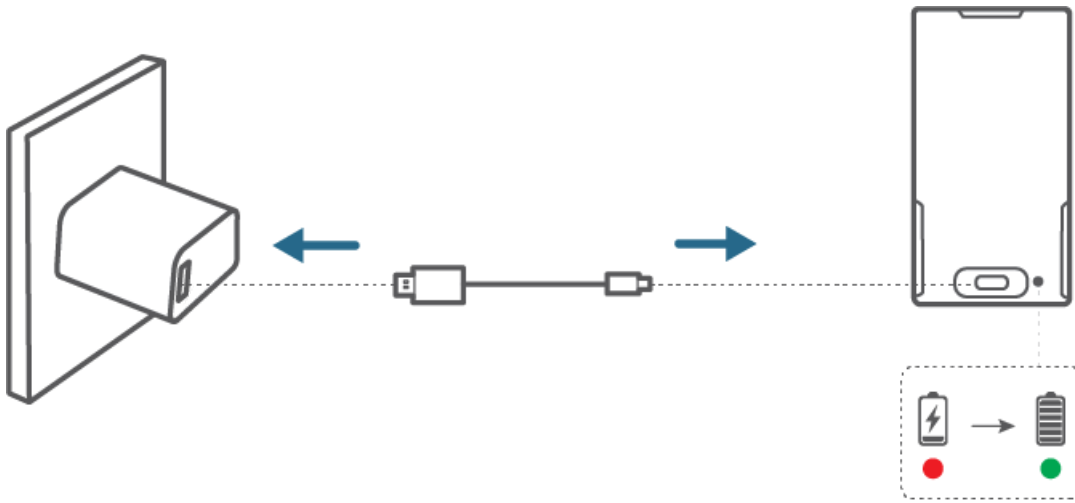
⑤ QR Code (Scan to add the doorbell in the app)

1. Charging The Battery Pack

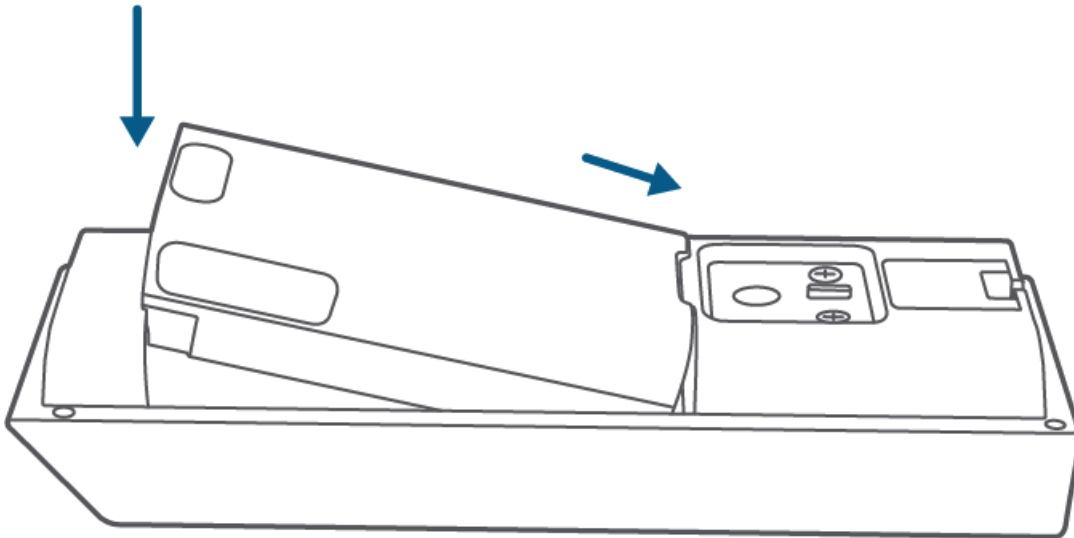
1. Remove the pre-installed battery pack from the battery compartment.



2. Fully charge the rechargeable battery pack before installation.



3. Place the battery pack into the battery compartment.



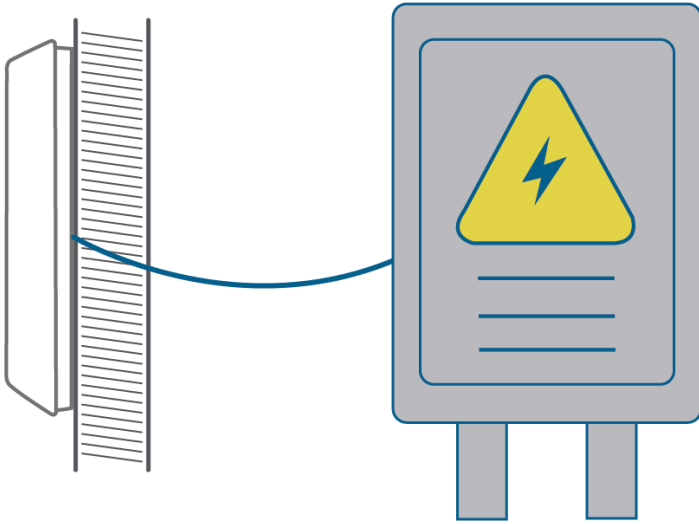
2. Determining The Power Option

Option 1: Battery Powered

If you don't have existing doorbell wiring at your front door, use the included battery. You are free to determine the location of the doorbell, and the mounting will be easy and quick. When the battery is low, you will need to recharge it. Battery life varies with use. If you choose this option, please skip to DOORBELL MOUNTING (Battery Powered).

Option 2: Wire Powered

If you have existing and working doorbell wires at your front door, the video doorbell will be constantly powered by these wires. So there's no need to detach and recharge after installation. The mounting position is limited. If you choose this option, please skip to DOORBELL MOUNTING (Wire Powered).



DOORBELL MOUNTING (Battery Powered)

3. Choose a Location

1. Take the video doorbell to your front door and check the live view in the app. Choose a location where you can see the desired field of view. Consider the following factors:

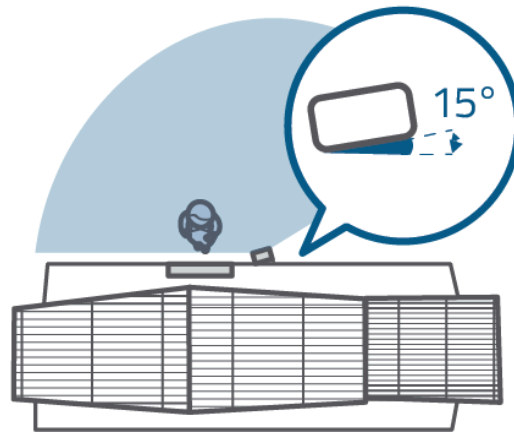
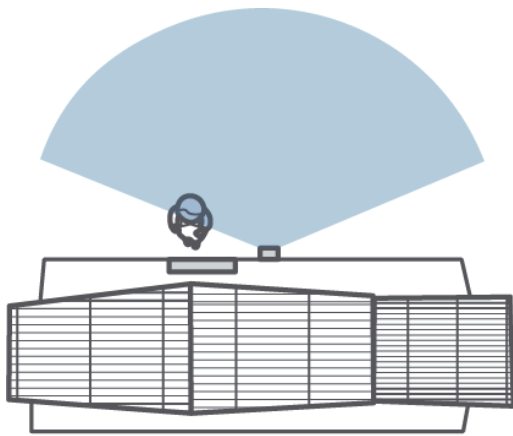
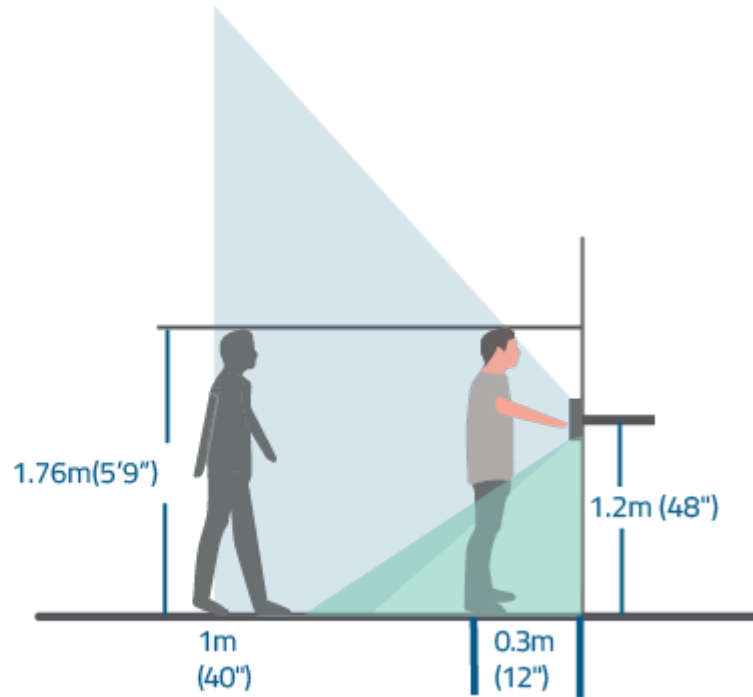
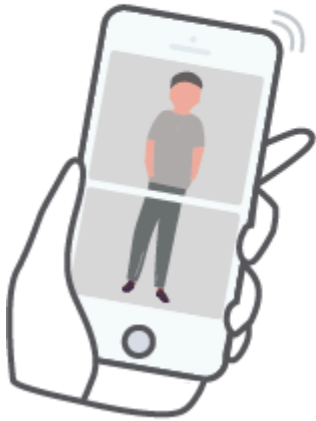
Check if you can reuse the existing holes and anchors in the wall or door frame.

If you want to place the doorbell near a side wall, make sure the wall isn't in the field of view.

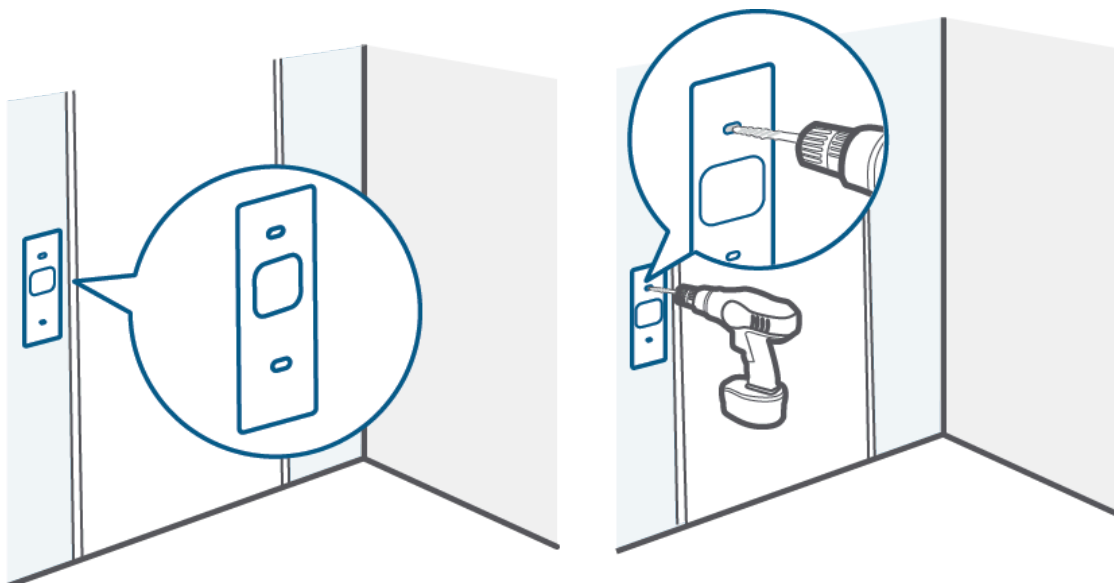
Otherwise, the IR light will be reflected and the night vision will be blurred.

If you are drilling the mounting holes for the first time, the recommended height is 48" (1.2m) above the ground.

To adjust the angle, use the 15° mounting wedge as a supplementary mounting bracket.



2. Place the screw hole positioning card against the wall to mark the location. If mounting on a hard wall (brick, concrete, or stucco), use a 15/64" (5.95mm) drill bit to drill 2 holes through the screw hole positioning card.

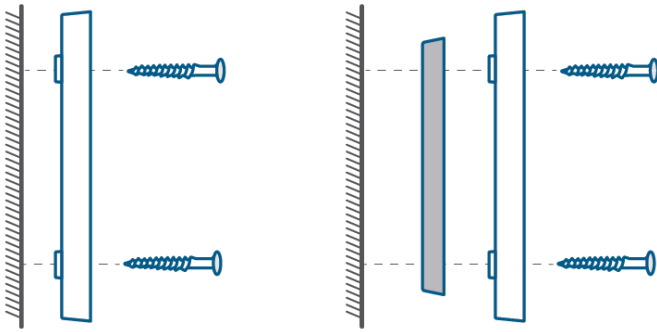


What you need: Phillips-Head Screwdriver; Power Drill (15/64" Drill Bit)

4. Mount the Bracket

Use the provided screws to secure the mounting bracket on the wall.

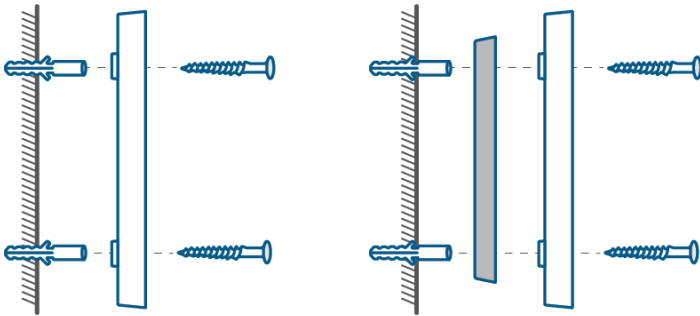
Wooden Wall



Without 15°
Mounting Wedge

With 15°
Mounting Wedge

Hard Wall

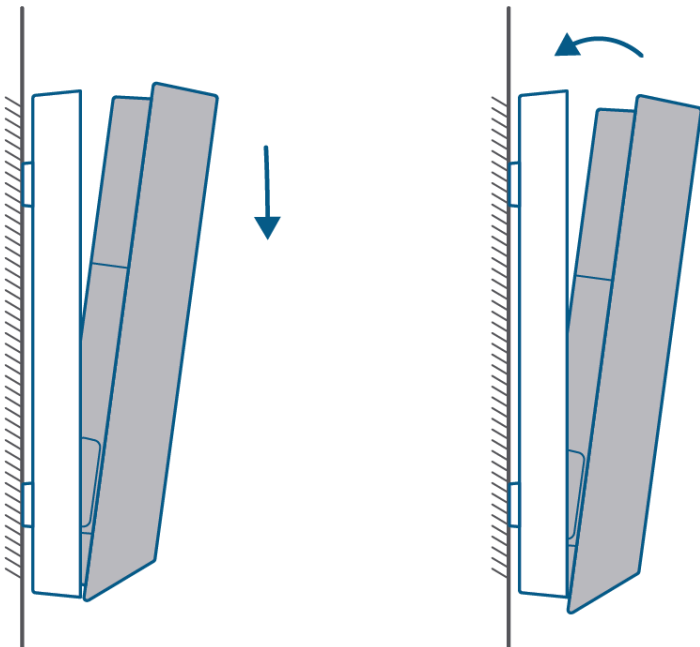


Without 15°
Mounting Wedge

With 15°
Mounting Wedge

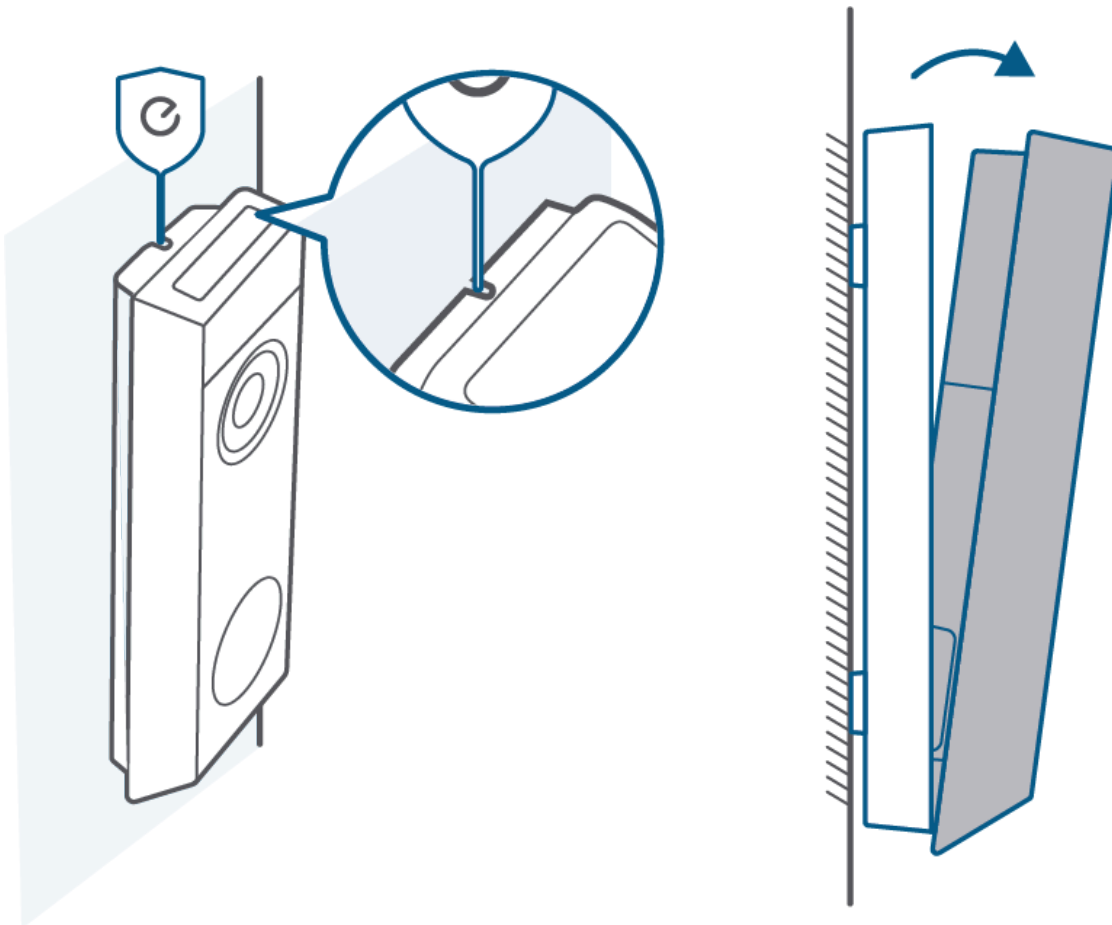
5. Install the Doorbell

Align the doorbell with the bottom of the mounting bracket, then press the top of the doorbell into place until it clicks.



6. Recharging the Battery

1. Insert the detaching pin into the pin hole on the top of the doorbell, then lift the top for removal.

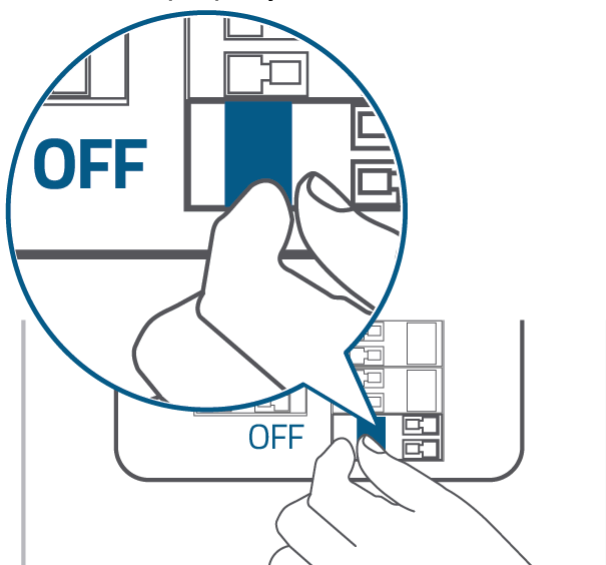



2. Repeat steps in "CHARGING THE BATTERY PACK".

DOORBELL MOUNTING (Wire Powered)

3. Check the Doorbell Wires

1. Ring the existing doorbell to check if it is working. If it doesn't ring, your doorbell wires may be defective. Power on the doorbell by the built-in battery or consult an electrician to repair the wires.
2. Shut off the power at the circuit breaker. Turn the lights on and off to make sure the electricity in your home is properly shut off.

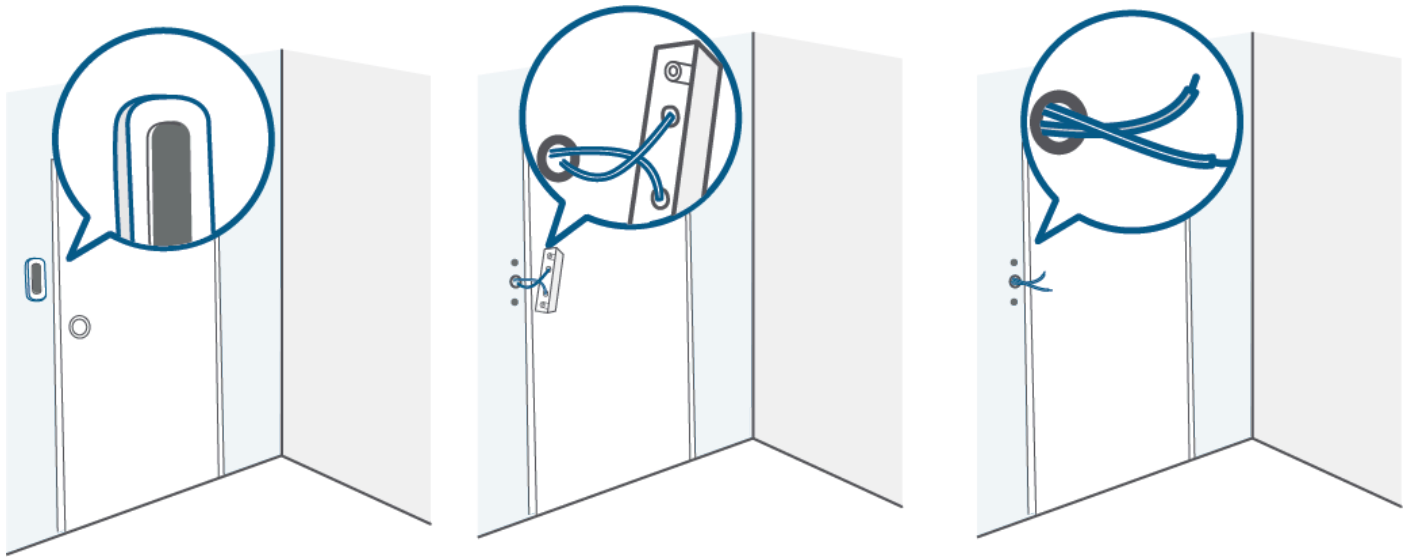


 Always be careful when handling wires. If you're not comfortable installing it yourself, have a qualified electrician to do it.

4. Detach the Existing Doorbell Button

If you already have existing doorbell wiring:

1. Remove the existing doorbell button with a Phillips-head screwdriver (not provided).
2. Pull the two wires out carefully when removing the existing doorbell. Straighten the wire ends if necessary.



5. Choose a Location

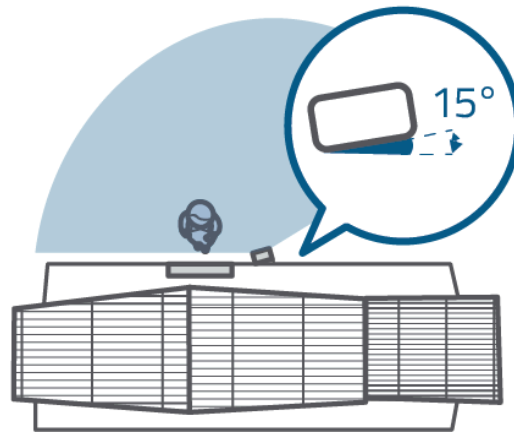
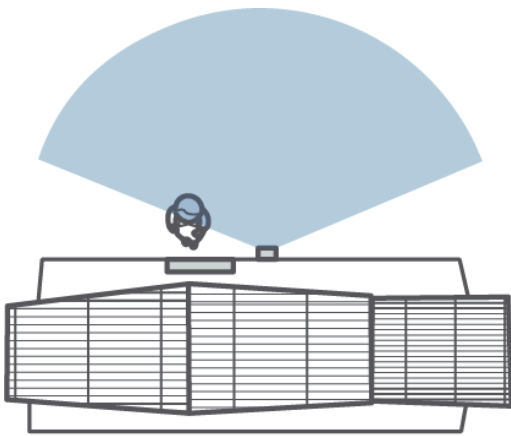
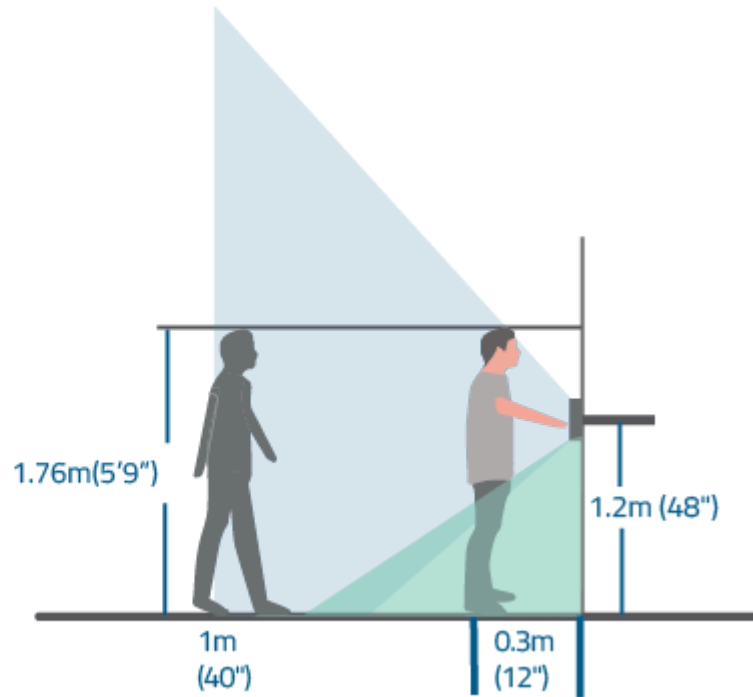
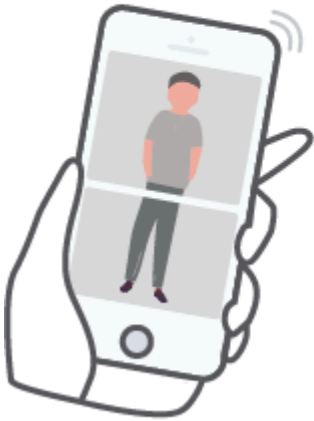
1. Take the video doorbell to your front door and check the live view in the app. Choose a location where you can see the desired field of view. Consider the following factors:

Check if you can reuse the existing holes and anchors in the wall or door frame.

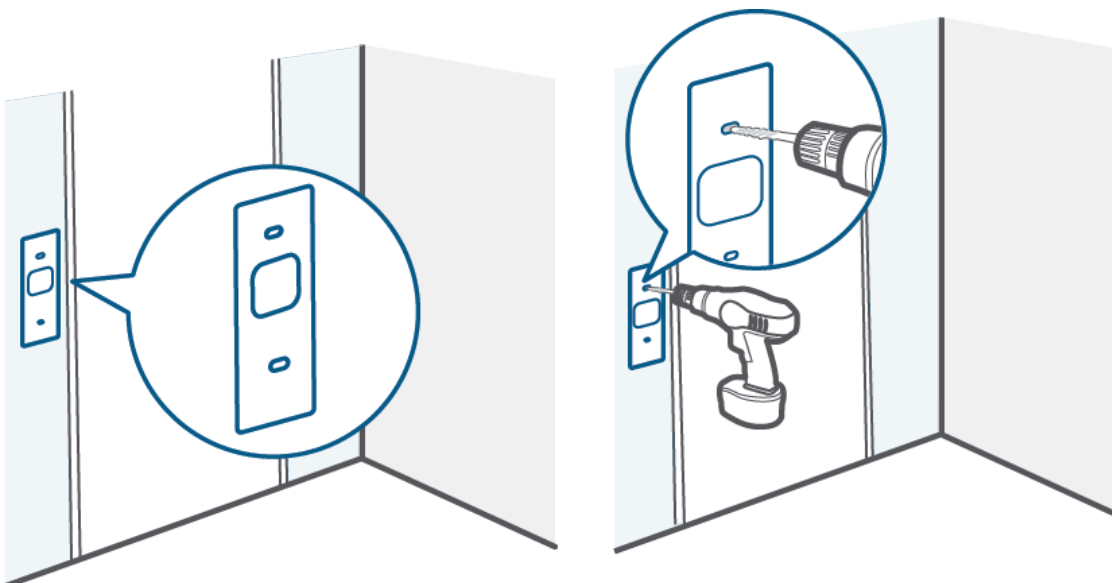
If you want to place the doorbell near a side wall, make sure the wall isn't in the field of view. Otherwise, the IR light will be reflected and the night vision will be blurred.

If you are drilling the mounting holes for the first time, the recommended height is 48" (1.2m) above the ground.

To adjust the angle, use the 15° mounting wedge as a supplementary mounting bracket.



2. Place the screw hole positioning card against the wall to mark the location. If mounting on a hard wall (brick, concrete, or stucco), use a 15/64" (5.95mm) drill bit to drill 2 holes through the screw hole positioning card.

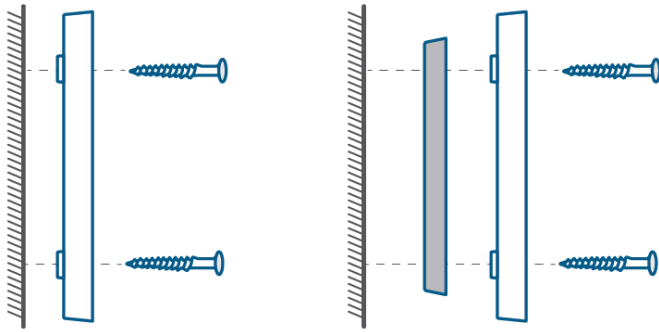


What you need: Phillips-Head Screwdriver; Power Drill (15/64" Drill Bit)

6. Mount the Bracket

Use the provided screws to secure the mounting bracket on the wall.

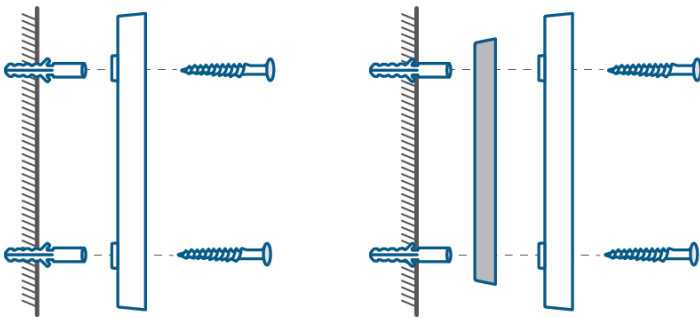
Wooden Wall



Without 15°
Mounting Wedge

With 15°
Mounting Wedge

Hard Wall

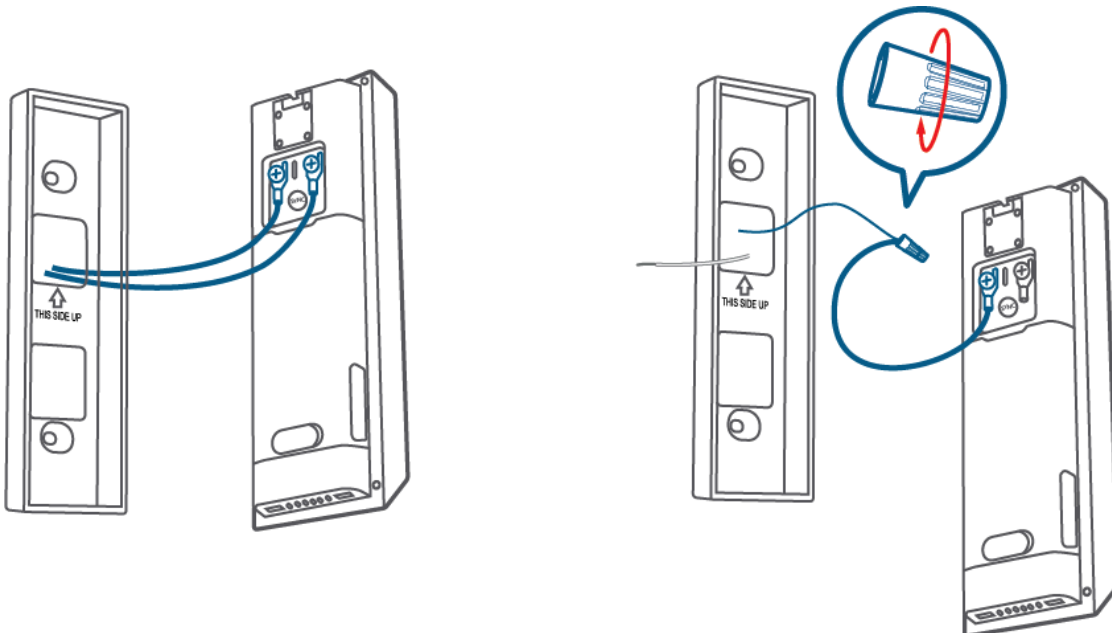



Without 15°
Mounting Wedge

With 15°
Mounting Wedge

7. Connect the Wires to the Doorbell

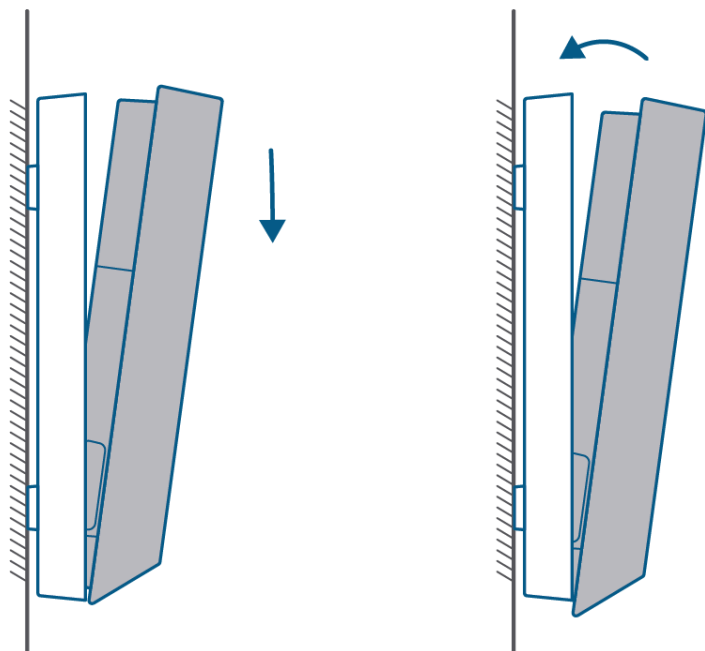
Connect the wires to the terminals on the back of the doorbell, then tighten the terminal screws. Wire can be connected to any terminal.



 To prevent short-circuiting, make sure the wires are not touching each other after connecting them to the terminals.
If the wires are too short, use the extension wires and wire nuts to make them longer. Use electrical wiring tape instead if there is no more space on the wall for wire nuts.

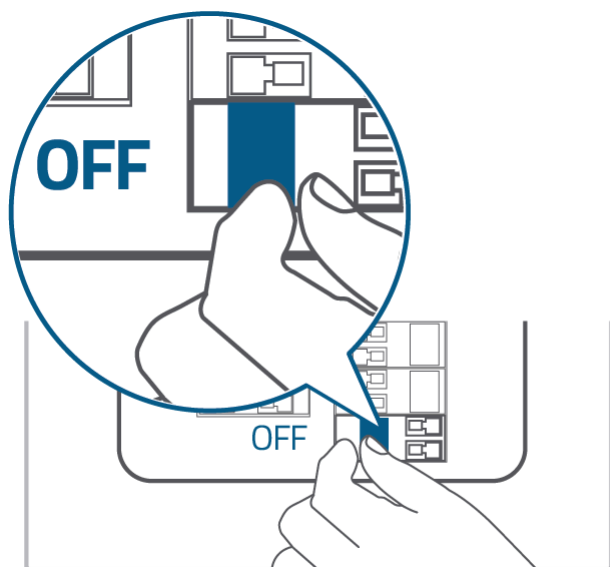
8. Install the Doorbell

Align the doorbell with the bottom of the mounting bracket, then press the top of the doorbell into place until it clicks.



9. Restore Power

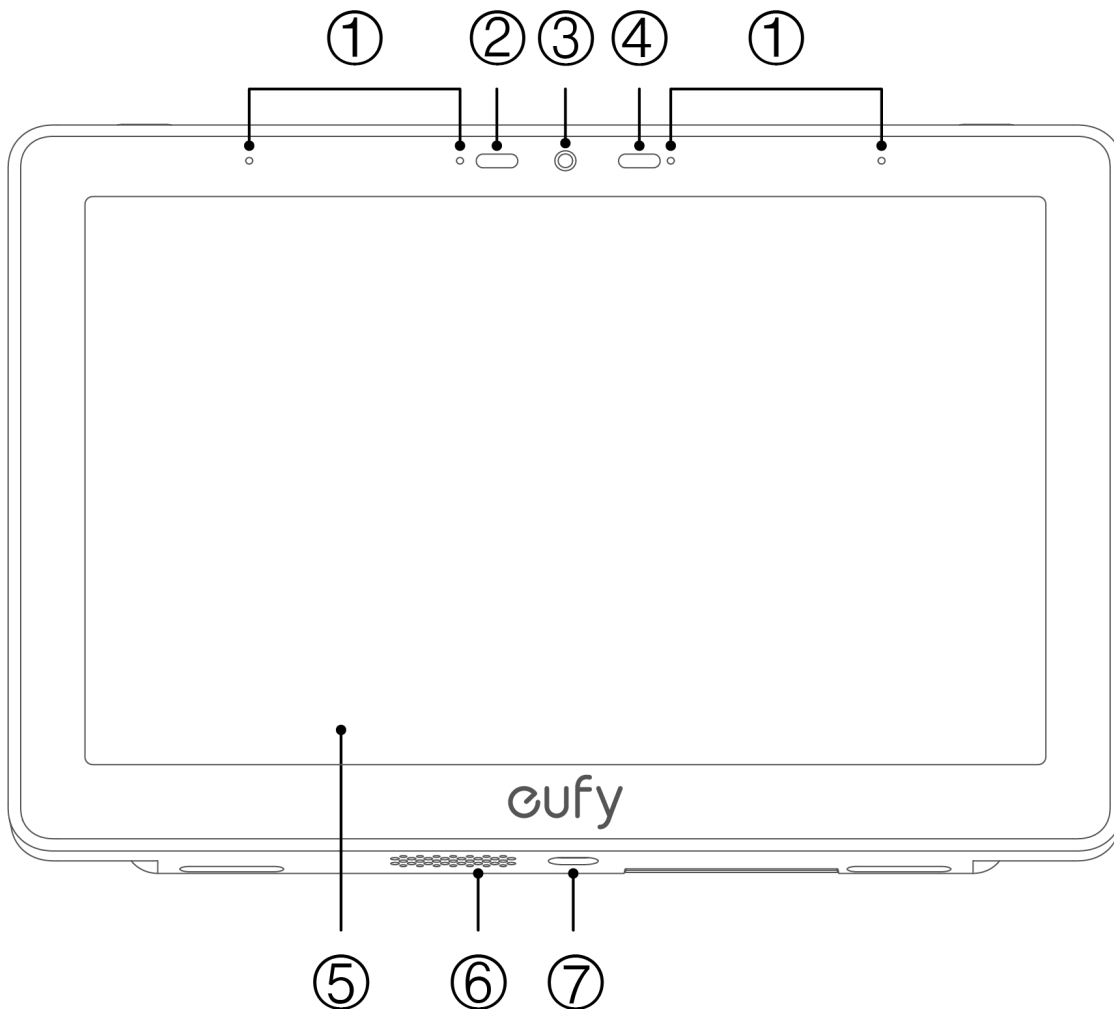
Switch the main circuit breaker back to ON. You're all set!



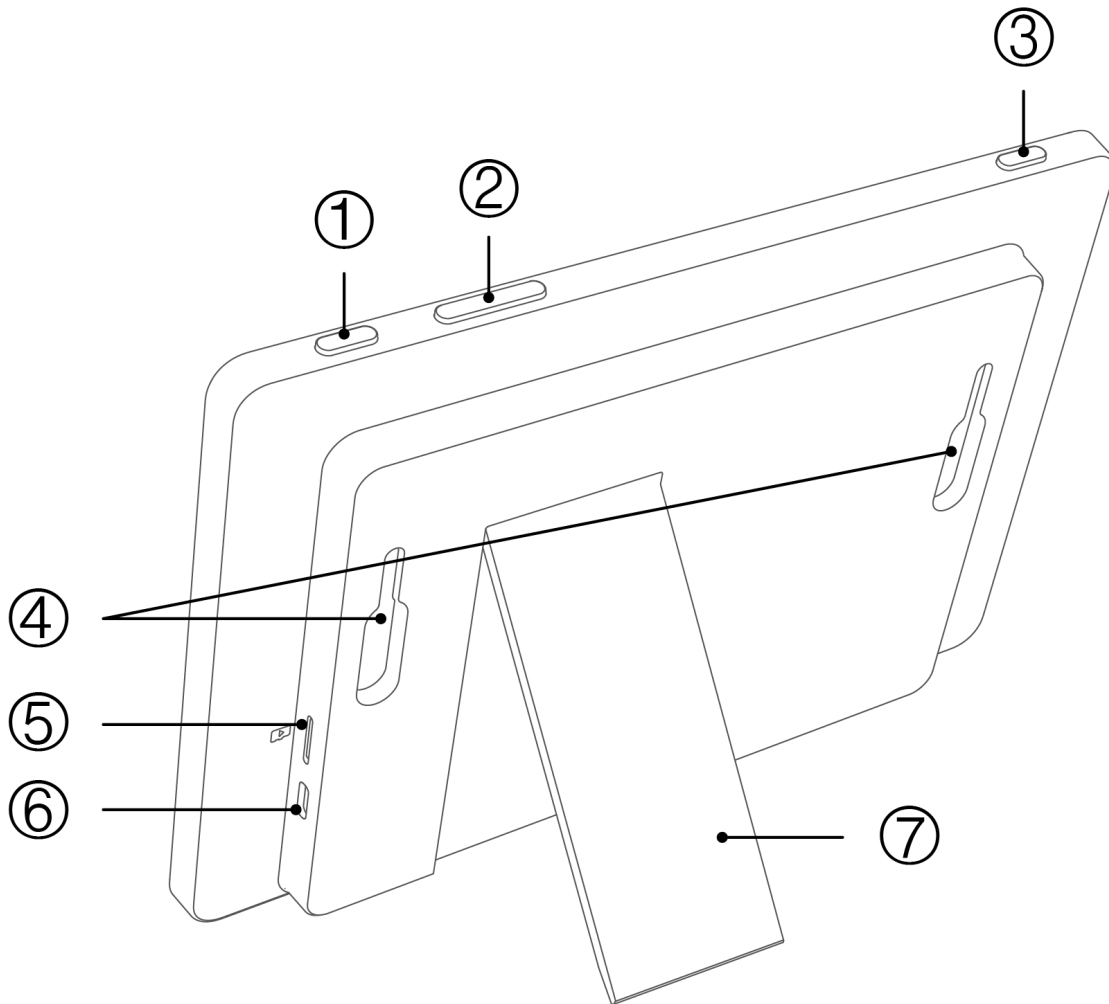
3 Set Up the Smart Display

At a Glance

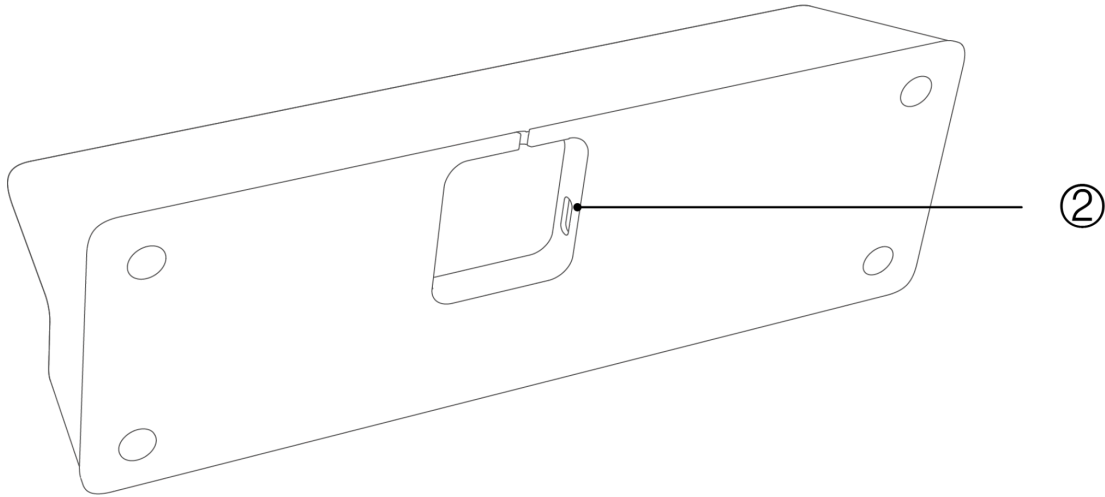
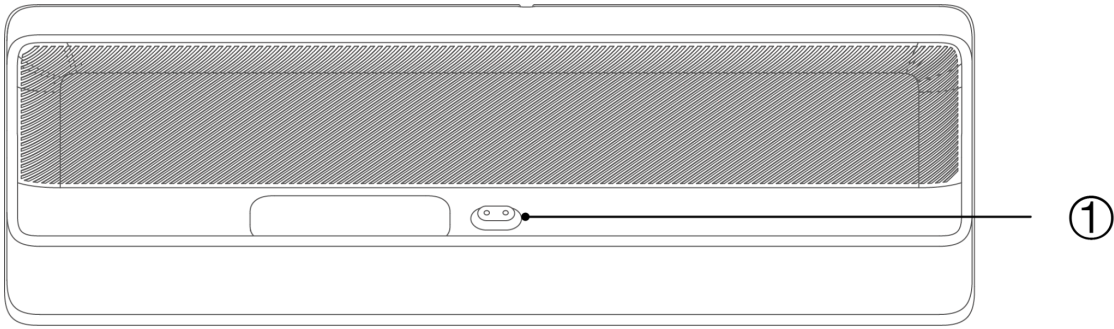
Smart Display



- ❶ Microphones
- ❷ Time of Flight Sensor
- ❸ Low Battery Indicator Light
- ❹ Light Sensor
- ❺ Touchscreen
- ❻ Speaker
- ❼ Charging Pins



- ① Power Button
- ② Volume Up / Down Button
- ③ Alarm Button
- ④ Mount Slots
- ⑤ MicroSD Card Slot
- ⑥ Charging Port
- ⑦ Folding Bracket



Charging Dock

- ① Charging Pins
- ② Power Port

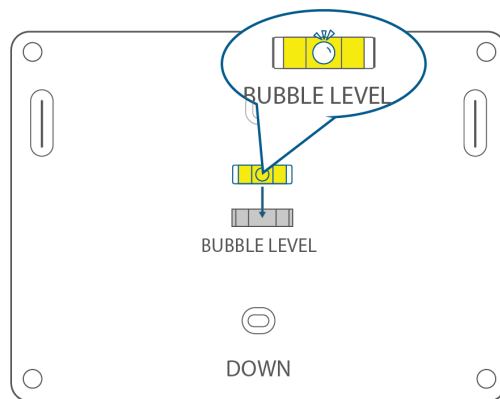
WALL MOUNT

1. Adjust the Wall Mount Position with the Bubble Level

Adjust the position of the wall mount with the bubble level before you stick it to the wall or drill holes on the wall.

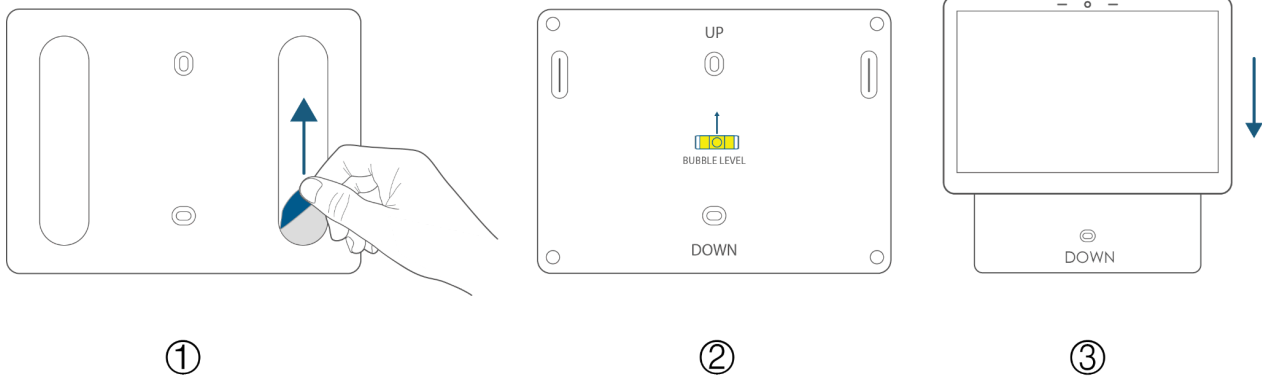


①

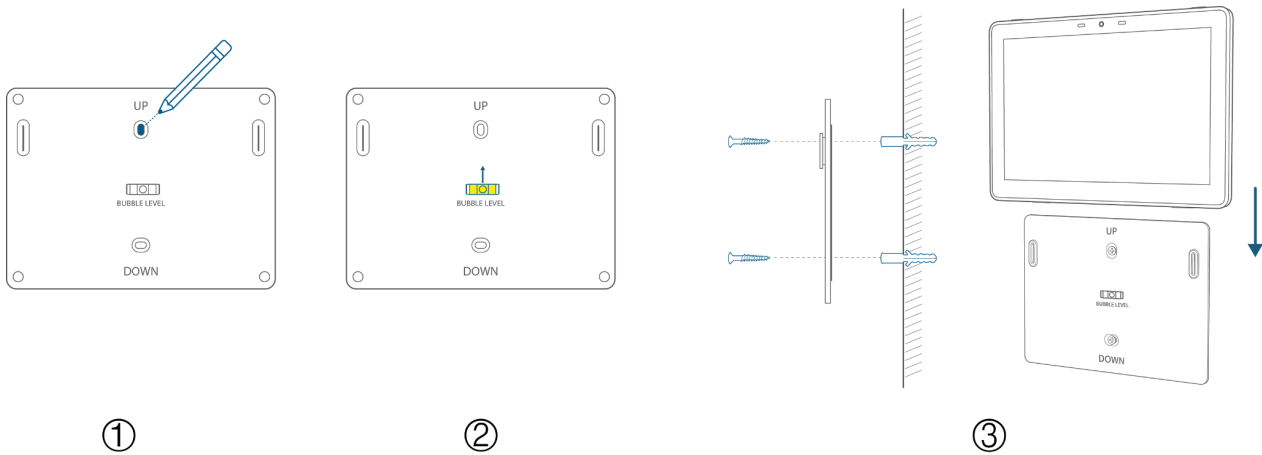


②

Option 1: 3M Stickers



Option 2: Anchors and Screws



2. Fix the Cable Holder

Use the cable holder if necessary. Fix the cable holder with the 3M sticker or an expansion screw.

