



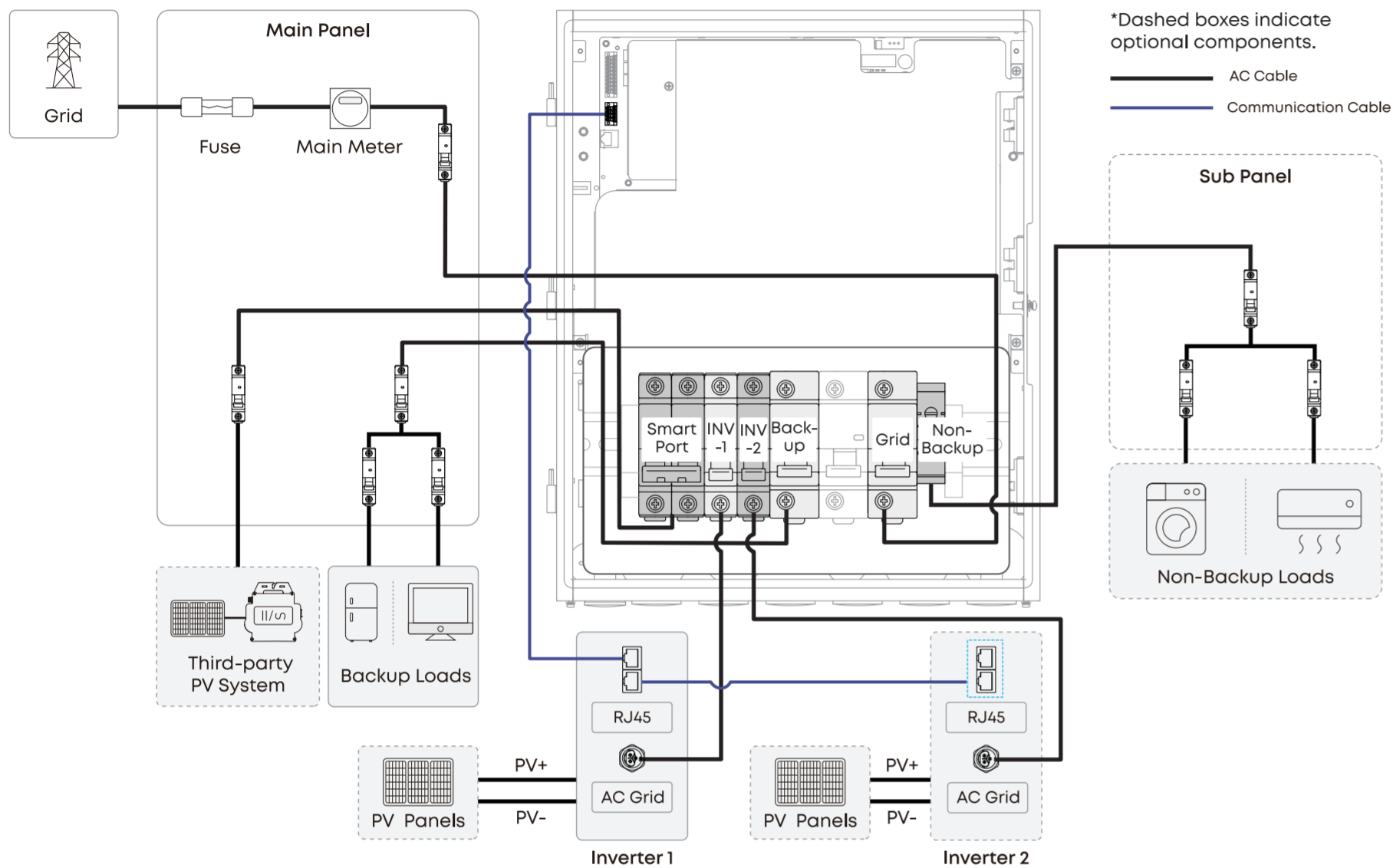
For User Guide / App / Support

support@ankersolix.com
 (AU) +61 1800 929 112

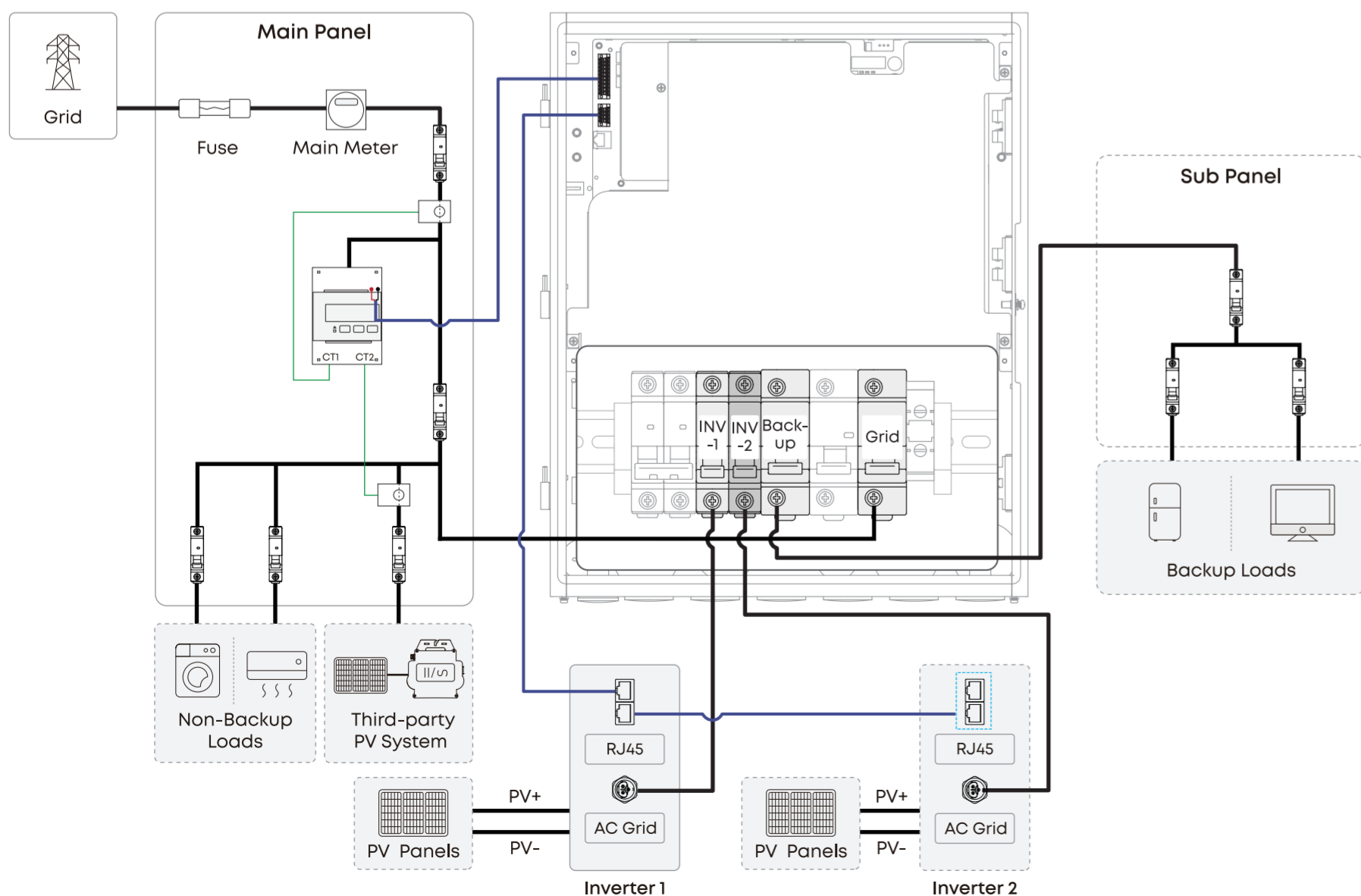
1 Overview

- When the Power Dock Pro is installed, Backup Port on the inverter should not be connected.
- When connected to Power Dock Pro, X1 Power Module supports a maximum of two units in parallel. For supported inverter models, refer to the online Installer Guide.
- For a two-inverter parallel connection to the Power Dock Pro, the communication cable can be connected to either inverter.

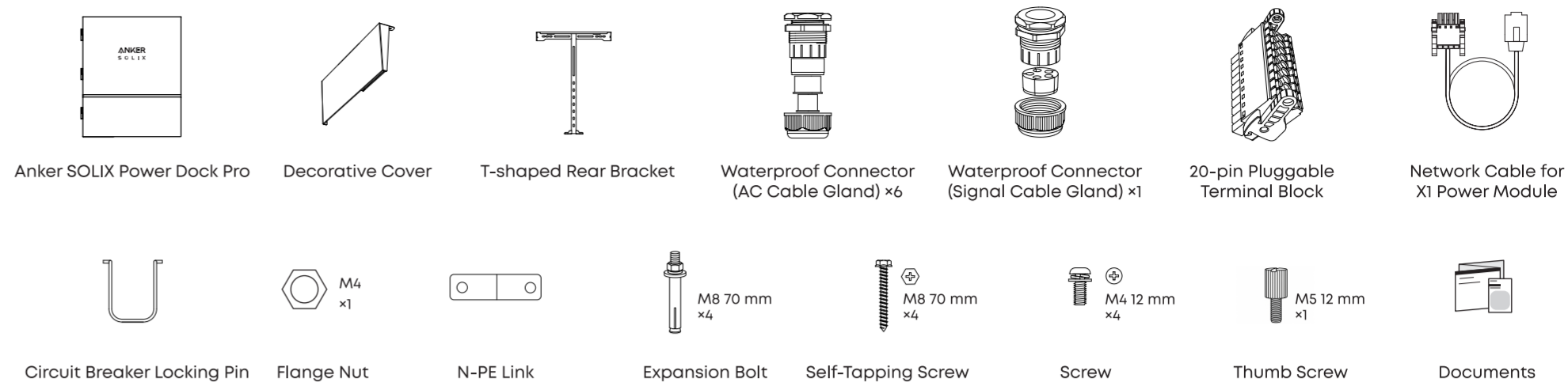
Primary Scenario



Other Scenario



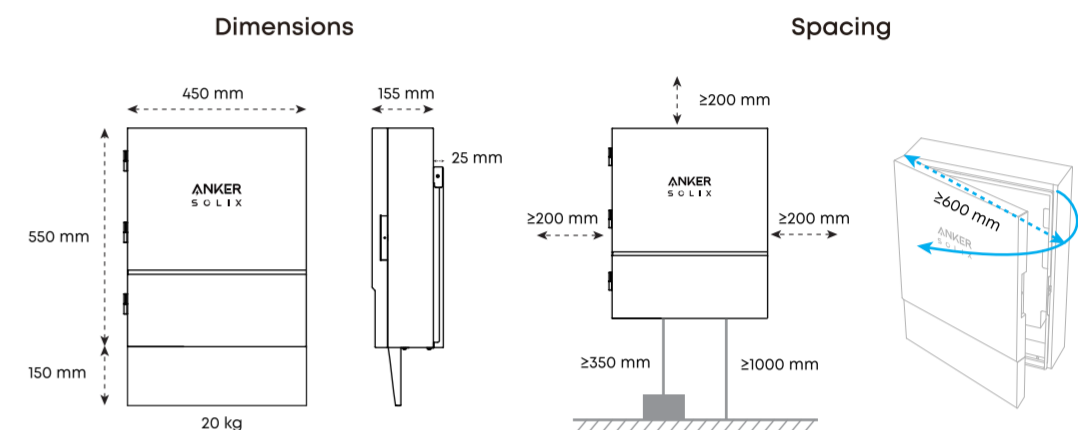
2 Unboxing



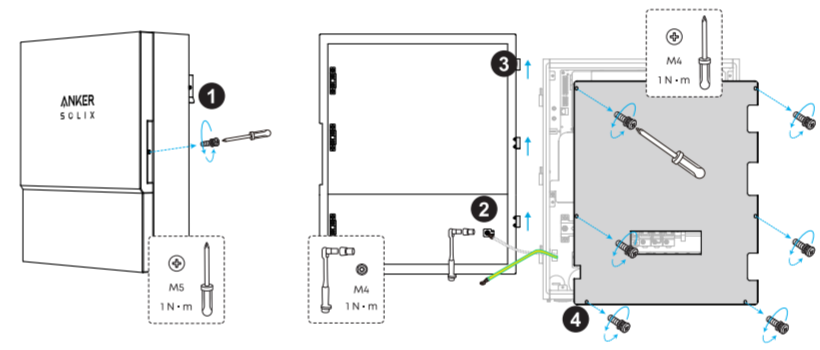
3 Installation

3.1 Select Installation Site

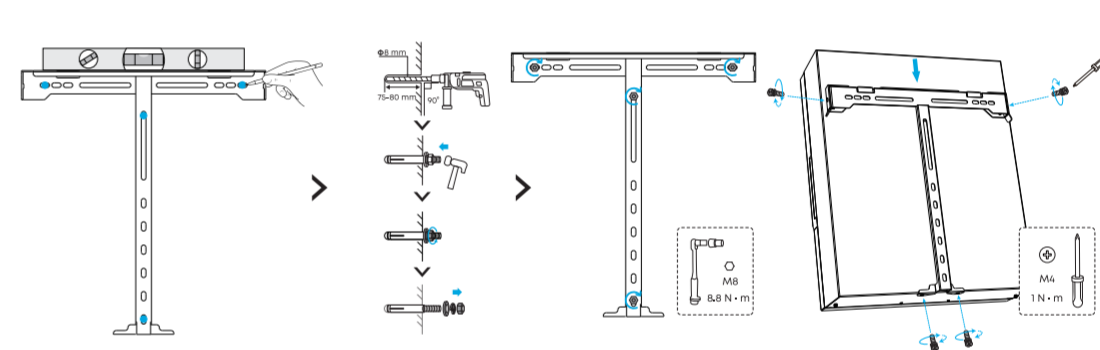
- Only qualified professionals or trained personnel are allowed to install and maintain the equipment.
- Install the equipment in a cool, sheltered location, away from direct sunlight and rain.
- Plan cable routing to keep the network cable (CAT6A SF/UTP) for X1 Power Module within 60 m.



3.2 Remove Door and Inner Panel



3.3 Mount the Bracket

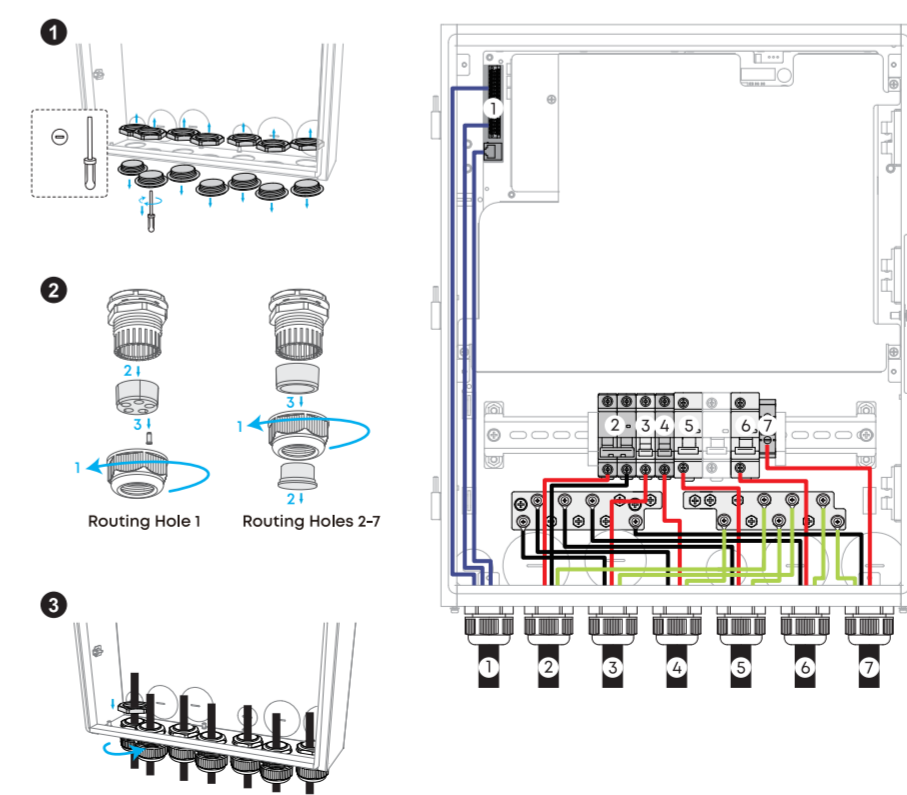


4 Electrical Connections

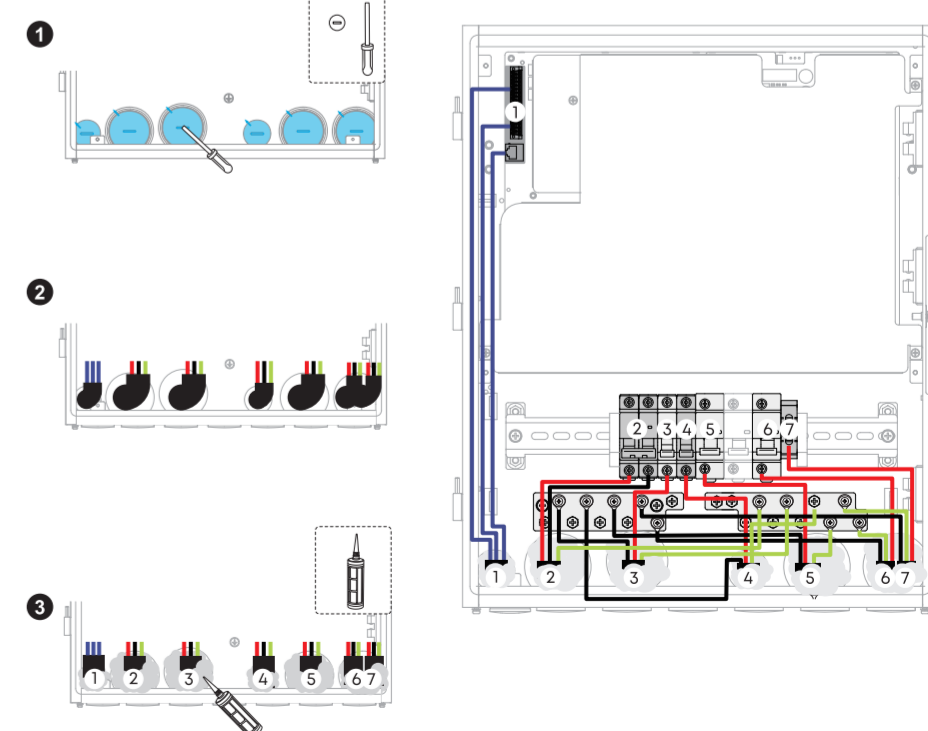
- Before wiring, ensure the main circuit breaker is off.
- Disconnect and remove wiring of existing Anker SOLIX energy storage systems from the distribution box for reconnection.

4.1 Wiring Suggestions

Option 1: Bottom Cable Entry



Option 2: Rear Cable Entry

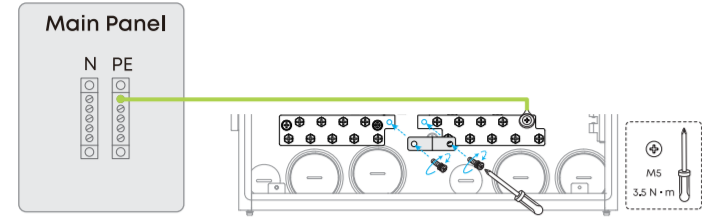


1 Communication cable	2 Smart port cable
3 Inverter cable	4 Inverter cable
5 Backup load cable	6 Grid cable
7 Non-backup load cable	

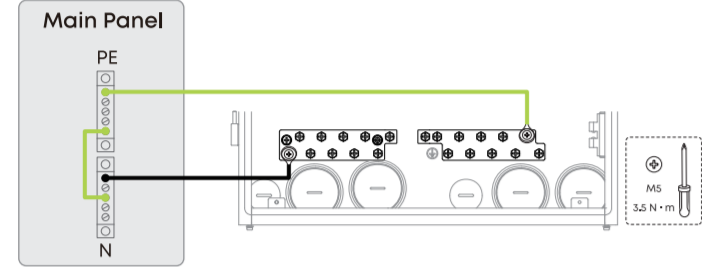
4.2 Connect the N Busbar and PE Busbar

⚠ If the Power Dock Pro is used as the primary distribution box, the provided N-PE link must be installed to short-circuit the neutral (N) busbar to the ground (PE) busbar.

Used as Primary Distribution Box

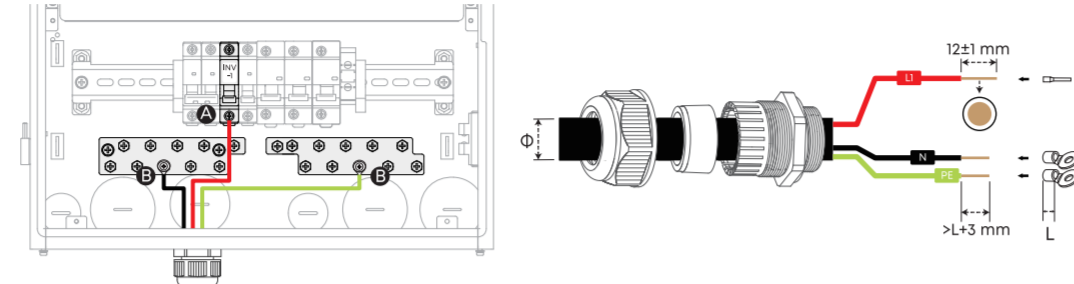


Other Scenarios



4.3 Connect to Inverter / Backup Loads / Non-Backup Loads / Power Grid

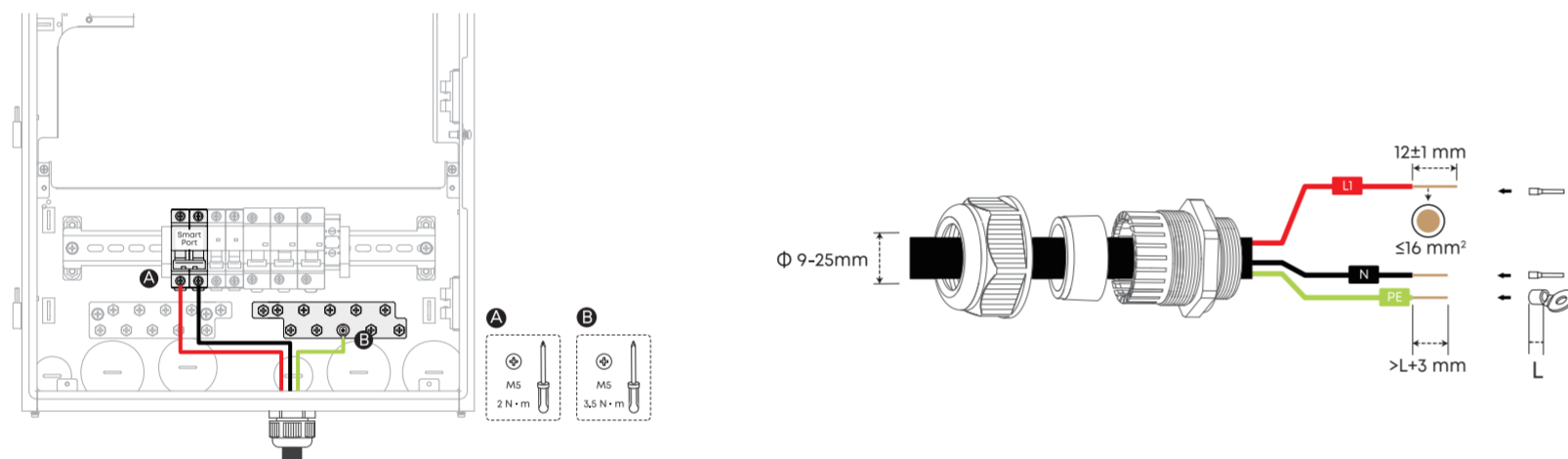
⚠ The following sections use bottom cable entry as an example. For rear entry, refer to the online Installer Guide.
 ⚠ Tighten the circuit breaker terminals to the specified torque: 3.5 N·m for 80 A breakers and 2 N·m for 63 A and 32 A breakers.



Cable Type	Outer diameter	Cross-sectional area of core conductor
Inverter Cable	8-17 mm	6 mm ²
Grid / Backup Load / Non-Backup Load Cable	9-25 mm	16 mm ²

4.4 Connect to Smart Port Loads

When connecting a third-party PV system to the Smart Port, the neutral (N) wire can be connected to the N busbar.

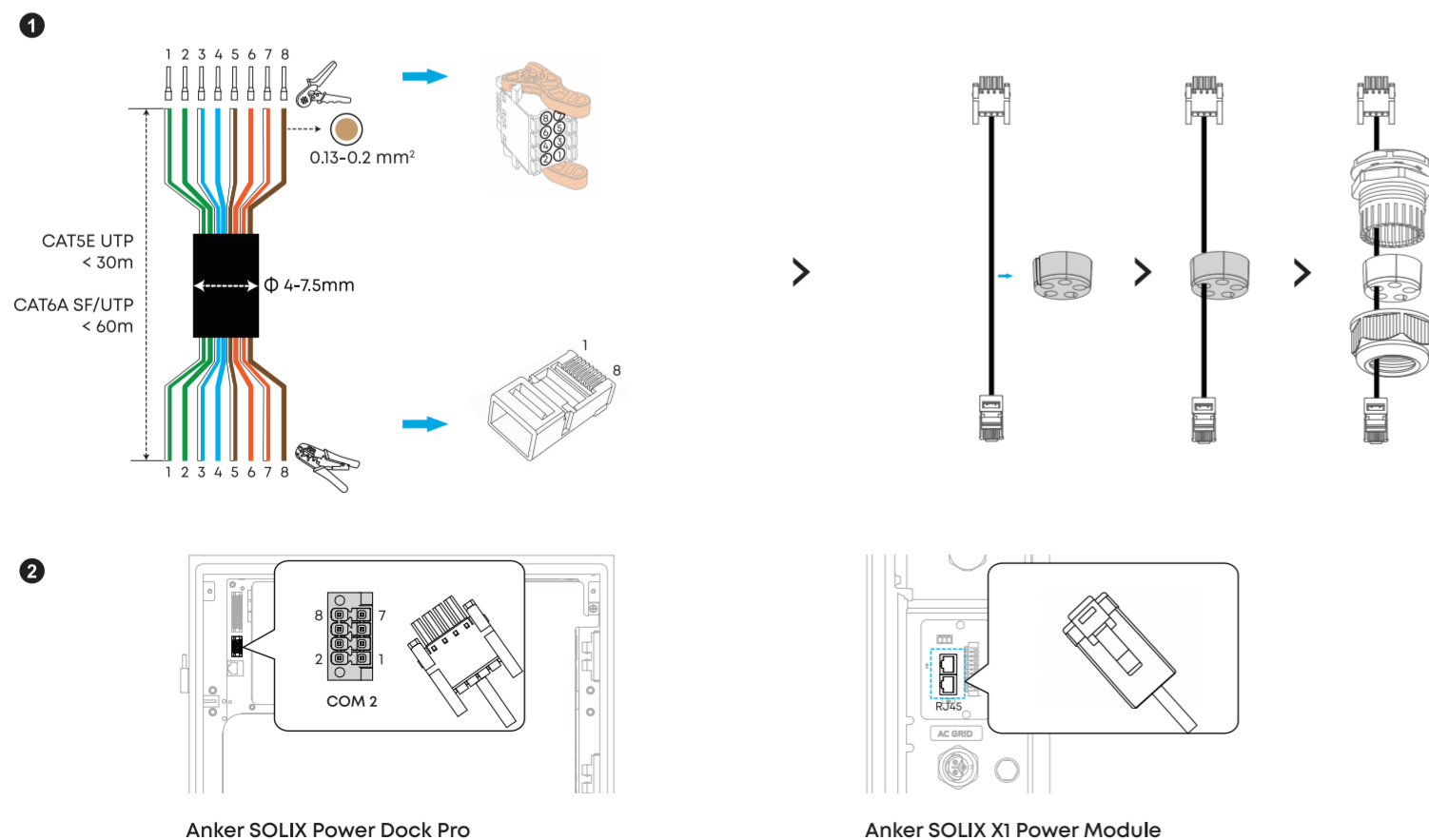


4.5 Connect Communication Cables

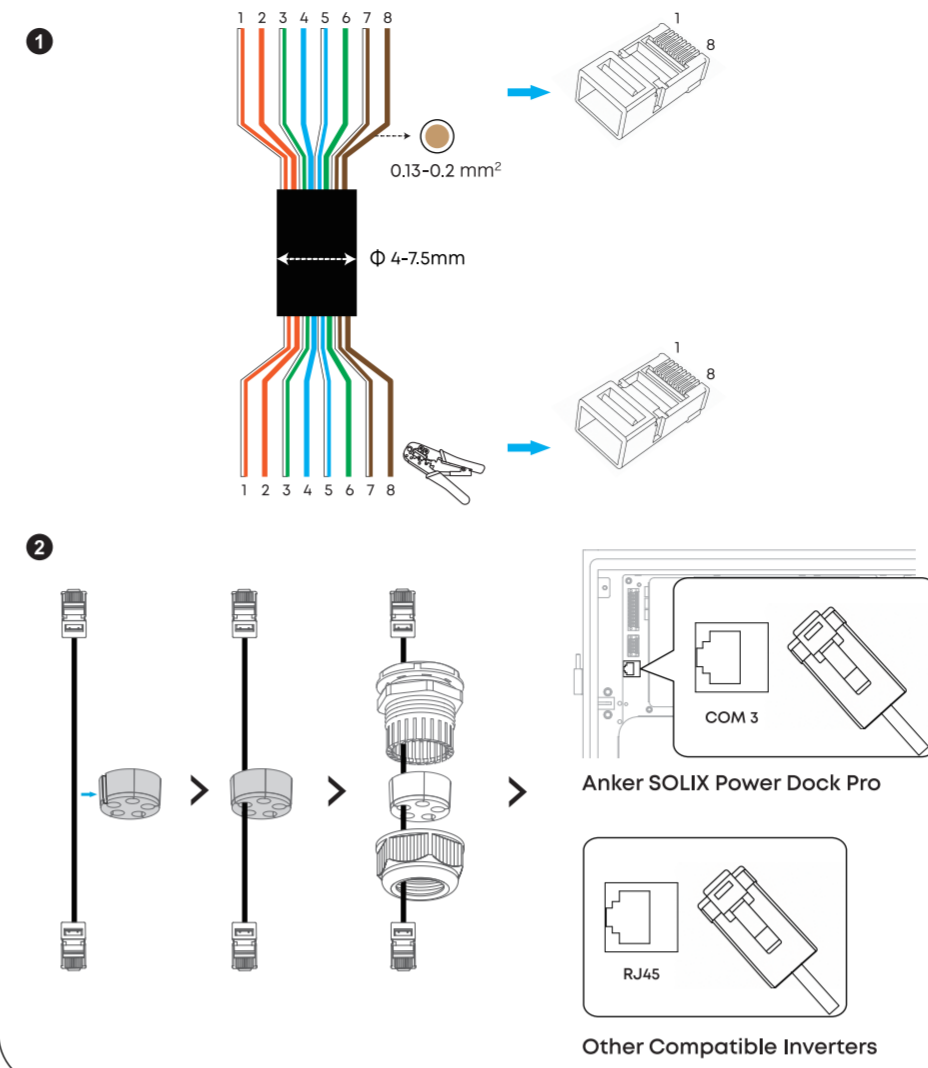
⚠ Different communication ports are not interchangeable. Verify the port labels before connecting to avoid system malfunction.

4.5.1 Connect the Network Cable for X1 Power Module

The network cable for X1 Power Module is included in the accessory kit. If you need to make your own cable, follow the steps below.

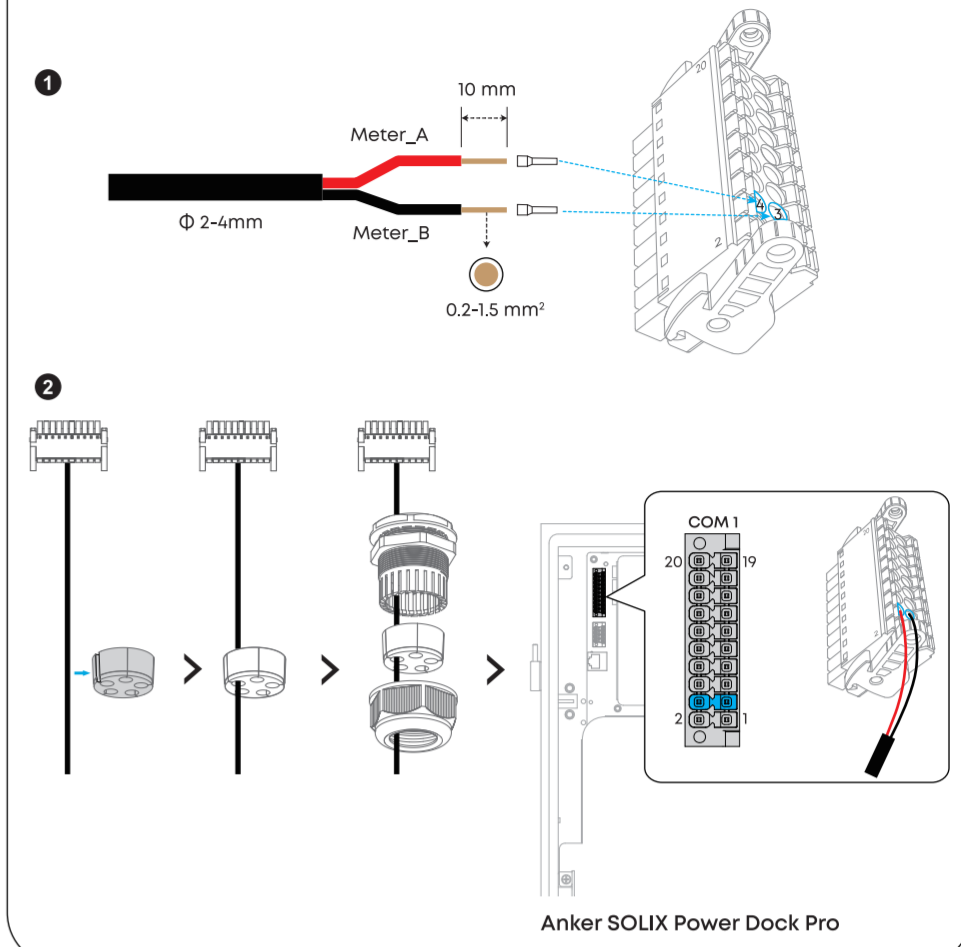


4.5.2 Connect the Network Cable for Other Compatible Inverters



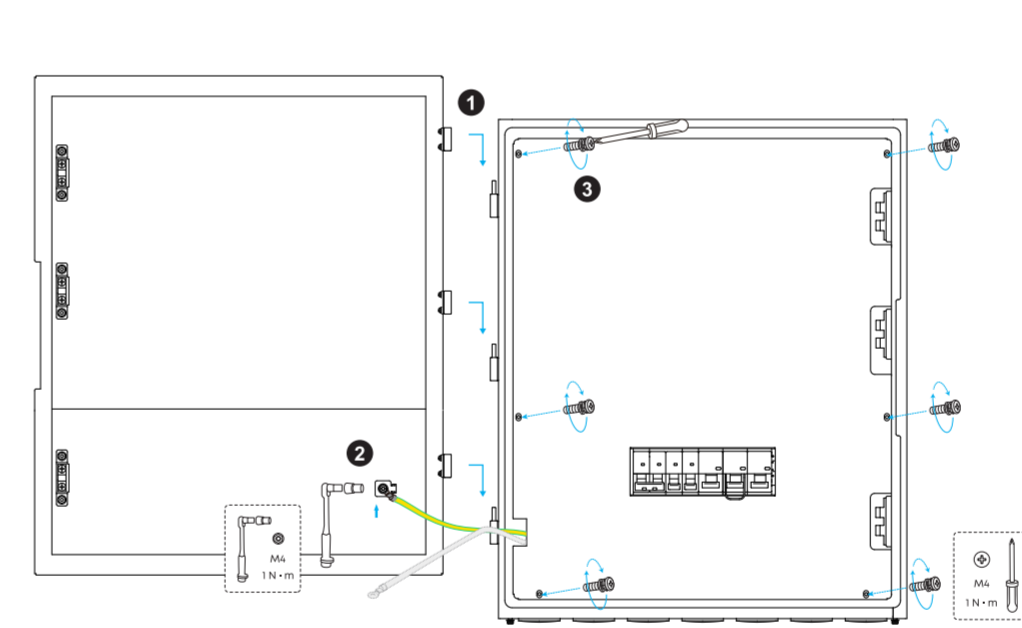
4.5.3 Connect RS485 Cable

⚠ The method to connect the DI / DO / RS485 cable is the same. This section takes connecting the RS485 cable as an example.

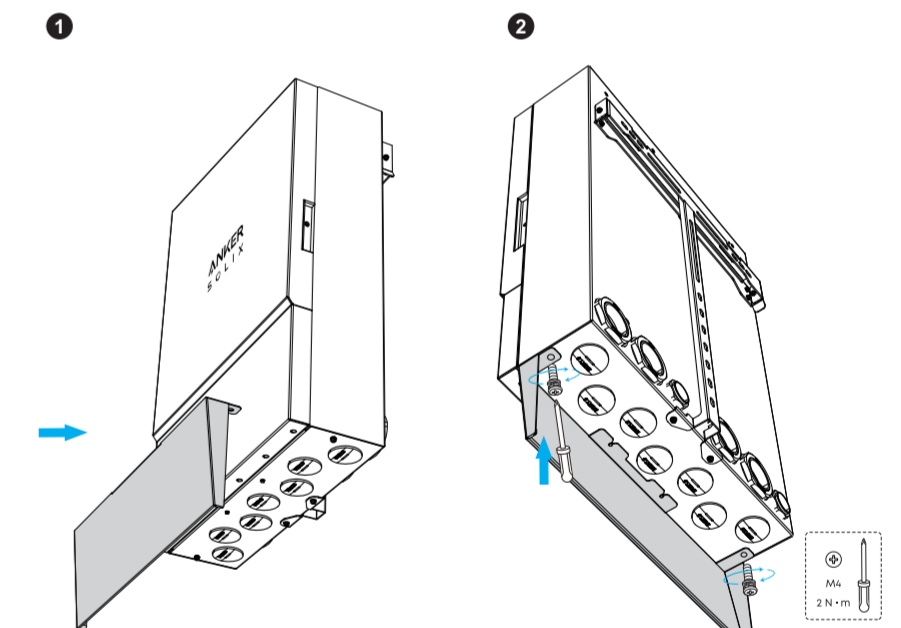


5 Complete Connections

5.1 Install Inner Panel and the Cover



5.2 Install Decorative Cover (Optional)



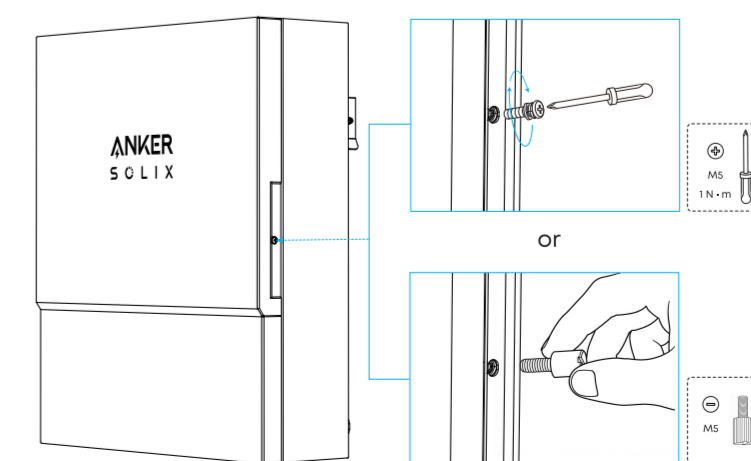
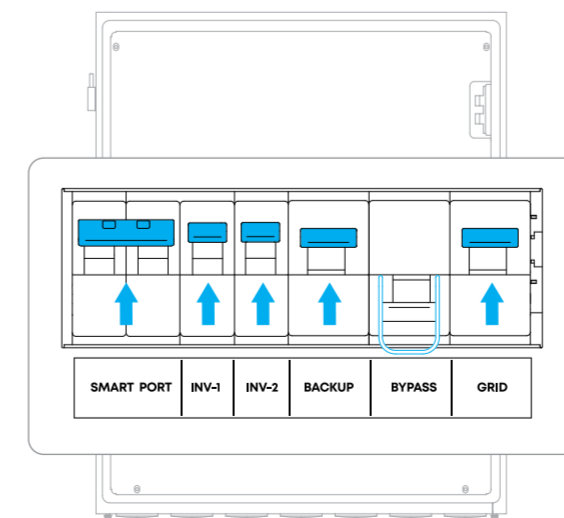
6 Device Setup

1. Switch on the circuit breakers in the following order: QF5 → QF2 / QF3 → QF1 → QF4.

⚠ During normal operation, keep the circuit breaker locking pin engaged to ensure the bypass switch remains in the OFF position.

2. Close and lock the equipment door.

3. Download the Anker SOLIX Professional app and follow the in-app instructions and online Installer Guide to complete the setup.



RECICLA Al Fine
PAP 21
 Raccolta Carta